



# Unidades Condensadoras

Modelos FBLV | FBJLD

12 a 100 HP

Rev 2.0





# FBLV-FBJLD UNIDADES CONDENSADORAS

R-404A/507

## BENEFICIOS MOTORES 800 mm

- **Menor consumo energético:** Operación eficiente que reduce el gasto de energía.
- **Reducción de ruido:** Disminución significativa de los niveles de ruido (dB).
- **Arranque suave:** Minimiza los picos de corriente, protegiendo el sistema.
- **Control de velocidad variable:** Ajuste preciso mediante PWM que optimiza el rendimiento en diferentes condiciones.
- **Flexibilidad operativa:** Capacidad de incrementar la velocidad del ventilador hasta 1000 rpm si es necesario, tras un análisis previo.
- **Protección mejorada:** Integración de componentes como monitores de fases, supresores de picos y fusibles para cada motor, garantizando una operación segura y confiable.

# FBLV

Unidad condensadora

## Potencia nominal en HP

150: 15 HP	120: 12 HP
200: 20 HP	150: 15 HP
220: 22 HP	180: 18 HP
250: 25 HP	220: 22 HP
300: 30 HP	230: 23 HP
330: 33 HP	270: 27 HP
350: 35 HP	280: 28 HP
400: 40 HP	300: 30 HP
500: 50 HP	340: 34 HP
	440: 44 HP

# 15000

# 066C

## Compresor

O - Compresor Copeland  
B - Compresor Bitzer

## Rango de Aplicación

M: Temp. Media/Alta  
L: Temp. Baja

## Refrigerante

6: R-404A/507

## Voltaje

B: 208-230/1/60  
C: 208-230/3/60

# FBJLD

Unidad condensadora

Potencia nominal en HP

300: 30 HP	240: 24 HP
400: 40 HP	300: 30 HP
440: 44 HP	360: 36 HP
500: 50 HP	440: 44 HP
600: 60 HP	460: 46 HP
660: 66 HP	540: 54 HP
700: 70 HP	560: 56 HP
800: 80 HP	600: 60 HP
100: 100 HP	680: 68 HP
	880: 88 HP

# 15000

# 0

Compresor

O - Compresor Copeland  
B - Compresor Bitzer

# L

Rango de Aplicación

M: Temp. Media/Alta  
L: Temp. Baja

# 6

Refrigerante

6: R-404A/507

# C

Voltaje

C: 208-230/3/60  
D: 460/3/60

# FBLV | DATOS ELÉCTRICOS

MODELO BLV

DATOS ELÉCTRICOS

MEDIA TEMPERATURA

6

Modelo Unidad	H.P.	Compresor								Ventilador					
		Compresor	Cant. Comp.	FLA	MCA	MOPD	Voltaje	RLA	LRA	RPMS	Cantidad	Consumo Motor FLA	Ø in (mm)	CAUDAL MÁXICO	Modelo Ventilador
<b>MEDIA TEMPERATURA Capacidad @ -6.7°C(20°F) de Temperatura de evaporación</b>															
FBLV1500M6C	15	3DS3R17ME-TFC	1	67.2	86.1	110	208-230/3/60	59.6	275	850	2	7.62	31.5 (800)	19.800	W3G800GS2313A
FBLV1500M6D	15	3DS3R17ME-TFD	1	32.8	44.1	50	460/3/60	29	138	850	2	3.84	31.5 (800)	19.800	W3G800GS2603C
FBLV150BM6C	15	4PE515Y-2NU	1	64.0	82.1	110	208-230/3/60	56.4	294	850	2	7.62	31.5 (800)	19.800	W3G800GS2313A
FBLV150BM6D	15	4PE515Y-2NU	1	32.0	43.1	50	460/3/60	28.2	147	850	2	3.84	31.5 (800)	19.800	W3G800GS2603C
FBLV2000M6C	20	4DBNR20ME-TSK	1	79.7	101.7	125	208-230/3/60	72.1	374	850	2	7.62	31.5 (800)	19.800	W3G800GS2313A
FBLV2000M6D	20	4DBNR20ME-TSK	1	39.9	53	70	460/3/60	36.1	187	850	2	3.84	31.5 (800)	19.800	W3G800GS2603C
FBLV200BM6C	20	4NES20Y-2NU	1	74.0	94.6	125	208-230/3/60	66.4	352	850	2	7.62	31.5 (800)	19.800	W3G800GS2313A
FBLV200BM6D	20	4NES20Y-2NU	1	37.0	49.3	60	460/3/60	33.2	176	850	2	3.84	31.5 (800)	19.800	W3G800GS2603C
FBLV220BM6C	22	4JE22Y-2NU	1	82.0	104.6	125	208-230/3/60	74.4	352	850	2	7.62	31.5 (800)	19.800	W3G800GS2313A
FBLV220BM6D	22	4JE22Y-2NU	1	41.0	54.3	70	460/3/60	37.2	176	850	2	3.84	31.5 (800)	19.800	W3G800GS2603C
FBLV2500M6C	25	4DHR22ME-TSK	1	82.0	104.6	125	208-230/3/60	74.4	428	850	2	7.62	31.5 (800)	19.800	W3G800GS2313A
FBLV2500M6D	25	4DHR22ME-TSK	1	41.0	54.3	70	460/3/60	37.2	214	850	2	3.84	31.5 (800)	19.800	W3G800GS2603C
FBLV250BM6C	25	4HE25Y-2NU	1	95.6	121.6	150	208-230/3/60	88	261.6	850	2	7.62	31.5 (800)	19.800	W3G800GS2313A
FBLV250BM6D	25	4HE25Y-2NU	1	47.8	62.8	80	460/3/60	44	218	850	2	3.84	31.5 (800)	19.800	W3G800GS2603C
FBLV3000M6C	30	4DJNR28ME-TSK	1	113.0	143.4	175	208-230/3/60	105.4	292	850	2	7.62	31.5 (800)	19.800	W3G800GS2313A
FBLV3000M6D	30	4DJNR28ME-TSK	1	56.5	73.7	100	460/3/60	52.7	235	850	2	3.84	31.5 (800)	19.800	W3G800GS2603C
FBLV300BM6C	30	4GE30Y-2NU	1	110.0	139.6	175	208-230/3/60	102.4	294	850	2	7.62	31.5 (800)	19.800	W3G800GS2313A
FBLV300BM6D	30	4GE30Y-2NU	1	55.0	71.8	90	460/3/60	51.2	245	850	2	3.84	31.5 (800)	19.800	W3G800GS2603C
FBLV330BM6C	33	6JE33Y-2NU	1	117.8	148.4	200	208-230/3/60	106.4	330	850	3	11.4	31.5 (800)	29.700	W3G800GS2313A
FBLV330BM6D	33	6JE33Y-2NU	1	59.0	76.3	100	460/3/60	53.2	275	850	3	5.76	31.5 (800)	29.700	W3G800GS2603C
FBLV3500M6C	35	6DHR35ME-TSK	1	136.5	171.8	225	208-230/3/60	125.1	340	850	3	11.4	31.5 (800)	29.700	W3G800GS2313A
FBLV3500M6D	35	6DHR35ME-TSK	1	68.4	88	110	460/3/60	62.6	283	850	3	5.76	31.5 (800)	29.700	W3G800GS2603C
FBLV350BM6C	35	6HE35Y-2NU	1	140.2	176.4	225	208-230/3/60	128.8	330	850	3	11.4	31.5 (800)	29.700	W3G800GS2313A
FBLV350BM6D	35	6HE35Y-2NU	1	70.2	90.3	110	460/3/60	64.4	275	850	3	5.76	31.5 (800)	29.700	W3G800GS2603C
FBLV4000M6C	40	6DJNR40ME-TSK	1	154.3	194.1	250	208-230/3/60	142.9	340	850	3	11.4	31.5 (800)	29.700	W3G800GS2313A
FBLV4000M6D	40	6DJNR40ME-TSK	1	77.2	99	125	460/3/60	71.4	297	850	3	5.76	31.5 (800)	29.700	W3G800GS2603C
FBLV400BM6C	40	6GE40Y-2NU	1	159.2	200.2	250	208-230/3/60	147.8	419.9	850	3	11.4	31.5 (800)	29.700	W3G800GS2313A
FBLV400BM6D	40	6GE40Y-2NU	1	79.7	102.1	125	460/3/60	73.9	350	850	3	5.76	31.5 (800)	29.700	W3G800GS2603C
FBLV500BM6C	50	6FE50Y-2NU	1	207.6	259.7	350	208-230/3/60	192.4	570	850	4	15.2	31.5 (800)	39.600	W3G800GS2313A
FBLV500BM6D	50	6FE50Y-2NU	1	103.9	131.3	175	460/3/60	96.2	425	850	4	7.68	31.5 (800)	39.600	W3G800GS2603C
<b>BAJA TEMPERATURA Capacidad @ -31.7 °C(-25°F) de Temperatura de evaporación</b>															
FBLV1200L6C	12	4DBNF54KE-TSK	1	58.9	75.7	100	208-230/3/60	51.3	220	850	2	7.62	31.5 (800)	19.800	W3G800GS2313A
FBLV1200L6D	12	4DBNF54KE-TSK	1	29.4	39.8	50	460/3/60	25.6	110	850	2	3.84	31.5 (800)	19.800	W3G800GS2603C
FBLV1500L6C	15	4DHNF63KE-TSK	1	60.2	77.4	100	208-230/3/60	52.6	278	850	2	7.62	31.5 (800)	19.800	W3G800GS2313A
FBLV1500L6D	15	4DHNF63KE-TSK	1	30.1	40.7	50	460/3/60	26.3	139	850	2	3.84	31.5 (800)	19.800	W3G800GS2603C
FBLV150BL6C	15	4JE15Y-2NU	1	69.2	88.6	110	208-230/3/60	61.6	352	850	2	7.62	31.5 (800)	19.800	W3G800GS2313A
FBLV150BL6D	15	4JE15Y-2NU	1	34.6	46.3	60	460/3/60	30.8	176	850	2	3.84	31.5 (800)	19.800	W3G800GS2603C
FBLV180BL6C	18	4HE18Y-2NU	1	81	103.4	125	208-230/3/60	73.4	352	850	2	7.62	31.5 (800)	19.800	W3G800GS2313A
FBLV180BL6D	18	4HE18Y-2NU	1	40.5	53.7	70	460/3/60	36.7	176	850	2	3.84	31.5 (800)	19.800	W3G800GS2603C
FBLV2200L6C	22	4DJNF76KE-TSK	1	71.9	92	110	208-230/3/60	64.3	374	850	2	7.62	31.5 (800)	19.800	W3G800GS2313A
FBLV2200L6D	22	4DJNF76KE-TSK	1	35.9	48	60	460/3/60	32.1	187	850	2	3.84	31.5 (800)	19.800	W3G800GS2603C
FBLV230BL6C	23	4GE23Y-2NU	1	95.4	121.4	150	208-230/3/60	87.8	211.2	850	2	7.62	31.5 (800)	19.800	W3G800GS2313A
FBLV230BL6D	23	4GE23Y-2NU	1	47.7	62.7	80	460/3/60	43.9	176	850	2	3.84	31.5 (800)	19.800	W3G800GS2603C
FBLV250BL6C	25	6JE-25Y-2NU	1	100.4	127.6	150	208-230/3/60	92.8	294	850	2	7.62	31.5 (800)	19.800	W3G800GS2313A
FBLV250BL6D	25	6JE-25Y-2NU	1	50.2	65.8	80	460/3/60	46.4	245	850	2	3.84	31.5 (800)	19.800	W3G800GS2603C
FBLV2700L6C	27	6DHNF93KE-TSK	1	88.3	112.5	150	208-230/3/60	80.7	263	850	2	7.62	31.5 (800)	19.800	W3G800GS2313A
FBLV2700L6D	27	6DHNF93KE-TSK	1	44.2	58.3	70	460/3/60	40.4	225	850	2	3.84	31.5 (800)	19.800	W3G800GS2603C
FBLV280BL6C	28	4FE28Y-2NU	1	113.2	143.6	175	208-230/3/60	105.6	294	850	2	7.62	31.5 (800)	19.800	W3G800GS2313A
FBLV280BL6D	28	4FE28Y-2NU	1	56.6	73.8	100	460/3/60	52.8	245	850	2	3.84	31.5 (800)	19.800	W3G800GS2603C
FBLV3000L6C	30	6DJNF11ME-TSK	1	103.2	131.1	175	208-230/3/60	95.6	292	850	2	7.62	31.5 (800)	19.800	W3G800GS2313A
FBLV3000L6D	30	6DJNF11ME-TSK	1	51.6	67.6	90	460/3/60	47.8	235	850	2	3.84	31.5 (800)	19.800	W3G800GS2603C
FBLV340BL6C	34	6GE34Y-2NU	1	138.6	175.4	225	208-230/3/60	131	294	850	2	7.62	31.5 (800)	19.800	W3G800GS2313A
FBLV340BL6D	34	6GE34Y-2NU	1	69.3	89.7	110	460/3/60	65.5	245	850	2	3.84	31.5 (800)	19.800	W3G800GS2603C
FBLV440BL6C	44	6FE44Y-2NU	1	177.8	223.4	300	208-230/3/60	166.4	419.9	850	3	11.4	31.5 (800)	29.700	W3G800GS2313A
FBLV440BL6D	44	6FE44Y-2NU	1	89	113.8	150	460/3/60	83.2	350	850	3	5.76	31.5 (800)	29.700	W3G800GS2603C



**UNIDADES CONDENSADORAS  
FBLV Y FBILD**

# FBJLD | DATOS ELÉCTRICOS

Modelo Unidad	H.P.	Compresor								Ventilador					Modelo Ventilador
		Compresor	Cant. Comp.	FLA	MCA	MOPD	Voltaje	RLA	LRA	RPM	Cant.	Consumo Motor FLA	Ø in (mm)	CAUDAL MÁSSICO	
<b>MEDIA TEMPERATURA</b>															
FBJLD3000M6C	30	3DS3R17ME-TFC	2	134.4	153.3	175	208-230/3/60	59.6	275	850	4	15.2	31.5 (800)	39600	W3G800GS2313A
FBJLD3000M6D	30	3DS3R17ME-TFD	2	65.7	76.9	90	460/3/60	29	138	850	4	7.68	31.5 (800)	39600	W3G800GS2603C
FBJLD300BM6C	30	4PES15Y-2NU	2	128.0	146.1	150	208-230/3/60	56.4	294	850	4	15.2	31.5 (800)	39600	W3G800GS2313A
FBJLD300BM6D	30	4PES15Y-2NU	2	64.1	75.1	80	460/3/60	28.2	147	850	4	7.68	31.5 (800)	39600	W3G800GS2603C
FBJLD4000M6C	40	4BDR20ME-TSK	2	159.4	181.5	200	208-230/3/60	72.1	374	850	4	15.2	31.5 (800)	39600	W3G800GS2313A
FBJLD4000M6D	40	4BDR20ME-TSK	2	79.9	92.9	100	460/3/60	36.1	187	850	4	7.68	31.5 (800)	39600	W3G800GS2603C
FBJLD400BM6C	40	4NES20-2NU	2	148.0	168.6	175	208-230/3/60	66.4	352	850	4	15.2	31.5 (800)	39600	W3G800GS2313A
FBJLD400BM6D	40	4NES20-2NU	2	74.1	86.4	100	460/3/60	33.2	176	850	4	7.68	31.5 (800)	39600	W3G800GS2603C
FBJLD440BM6C	44	4JE22Y-2NU	2	164.0	186.6	200	208-230/3/60	74.4	352	850	4	15.2	31.5 (800)	39600	W3G800GS2313A
FBJLD440BM6D	44	4JE22Y-2NU	2	82.1	95.4	110	460/3/60	37.2	176	850	4	7.68	31.5 (800)	39600	W3G800GS2603C
FBJLD5000M6C	50	4DHR22ME-TSK	2	164.0	186.6	200	208-230/3/60	74.4	428	850	4	15.2	31.5 (800)	39600	W3G800GS2313A
FBJLD5000M6D	50	4DHR22ME-TSK	2	82.1	95.4	110	460/3/60	37.2	214	850	4	7.68	31.5 (800)	39600	W3G800GS2603C
FBJLD500BM6C	50	4HE25Y-2NU	2	191.2	217.2	250	208-230/3/60	88.0	261.6	850	4	15.2	31.5 (800)	39600	W3G800GS2313A
FBJLD500BM6D	50	4HE25Y-2NU	2	95.7	110.7	125	460/3/60	44.0	218	850	4	7.68	31.5 (800)	39600	W3G800GS2603C
FBJLD6000M6C	60	4DJNR28ME-TSK	2	226.0	256.4	300	208-230/3/60	105.4	292	850	4	15.2	31.5 (800)	39600	W3G800GS2313A
FBJLD6000M6D	60	4DJNR28ME-TSK	2	113.1	130.3	150	460/3/60	52.7	235	850	4	7.68	31.5 (800)	39600	W3G800GS2603C
FBJLD600BM6C	60	4GE-30-2NU	2	220.0	249.6	300	208-230/3/60	102.4	294	850	4	15.2	31.5 (800)	39600	W3G800GS2313A
FBJLD600BM6D	60	4GE-30-2NU	2	110.1	126.9	150	460/3/60	51.2	245	850	4	7.68	31.5 (800)	39600	W3G800GS2603C
FBJLD660BM6C	66	6JE33Y-2NU	2	235.7	266.3	300	208-230/3/60	106.4	330	850	6	22.9	31.5 (800)	59400	W3G800GS2313A
FBJLD660BM6D	66	6JE33Y-2NU	2	117.9	135.2	150	460/3/60	53.2	275	850	6	11.5	31.5 (800)	59400	W3G800GS2603C
FBJLD7000M6C	70	6DHR35ME-TSK	2	273.1	308.3	350	208-230/3/60	125.1	340	850	6	22.9	31.5 (800)	59400	W3G800GS2313A
FBJLD7000M6D	70	6DHR35ME-TSK	2	136.7	156.4	175	460/3/60	62.6	283	850	6	11.5	31.5 (800)	59400	W3G800GS2603C
FBJLD700BM6C	70	6HE35Y-2NU	2	280.5	316.7	350	208-230/3/60	128.8	330	850	6	22.9	31.5 (800)	59400	W3G800GS2313A
FBJLD700BM6D	70	6HE35Y-2NU	2	140.3	160.4	175	460/3/60	64.4	275	850	6	11.5	31.5 (800)	59400	W3G800GS2603C
FBJLD8000M6C	80	6DJNR40ME-TSK	2	308.7	348.4	400	208-230/3/60	142.9	340	850	6	22.9	31.5 (800)	59400	W3G800GS2313A
FBJLD8000M6D	80	6DJNR40ME-TSK	2	154.3	176.2	200	460/3/60	71.4	297	850	6	11.5	31.5 (800)	59400	W3G800GS2603C
FBJLD800BM6C	80	6GE40Y-2NU	2	318.5	359.4	400	208-230/3/60	147.8	419.9	850	6	22.9	31.5 (800)	59400	W3G800GS2313A
FBJLD800BM6D	80	6GE40Y-2NU	2	159.3	181.8	200	460/3/60	73.9	350	850	6	11.5	31.5 (800)	59400	W3G800GS2603C
FBJLD1000BM6C	100	6FE50Y-2NU	2	415.3	467.4	500	208-230/3/60	192.4	570	850	8	30.5	31.5 (800)	79200	W3G800GS2313A
FBJLD1000BM6D	100	6FE50Y-2NU	2	207.8	235.8	250	460/3/60	96.2	425	850	8	15.4	31.5 (800)	79200	W3G800GS2603C
<b>BAJA TEMPERATURA</b>															
FBJLD2400L6C	24	4BNF54KE-TSK	2	117.8	134.7	150	208-230/3/60	51.3	220	850	4	15.2	31.5 (800)	39600	W3G800GS2313A
FBJLD2400L6D	24	4BNF54KE-TSK	2	58.9	69.3	80	460/3/60	25.6	110	850	4	7.68	31.5 (800)	39600	W3G800GS2603C
FBJLD3000L6C	30	4DHF63KE-TSK	2	120.4	137.6	150	208-230/3/60	52.6	278	850	4	15.2	31.5 (800)	39600	W3G800GS2313A
FBJLD3000L6D	30	4DHF63KE-TSK	2	60.3	70.9	80	460/3/60	26.3	139	850	4	7.68	31.5 (800)	39600	W3G800GS2603C
FBJLD300BL6C	30	4JE15Y-2NU	2	138.4	157.8	175	208-230/3/60	61.6	352	850	4	15.2	31.5 (800)	39600	W3G800GS2313A
FBJLD300BL6D	30	4JE15Y-2NU	2	69.3	81.0	90	460/3/60	30.8	176	850	4	7.68	31.5 (800)	39600	W3G800GS2603C
FBJLD360BL6C	36	4HE18Y-2NU	2	162.0	184.4	200	208-230/3/60	73.4	352	850	4	15.2	31.5 (800)	39600	W3G800GS2313A
FBJLD360BL6D	36	4HE18Y-2NU	2	81.1	94.3	110	460/3/60	36.7	176	850	4	7.68	31.5 (800)	39600	W3G800GS2603C
FBJLD4400L6C	44	4DJNF76KE-TSK	2	143.8	163.9	175	208-230/3/60	64.3	374	850	4	15.2	31.5 (800)	39600	W3G800GS2313A
FBJLD4400L6D	44	4DJNF76KE-TSK	2	71.9	83.9	90	460/3/60	32.1	187	850	4	7.68	31.5 (800)	39600	W3G800GS2603C
FBJLD460BL6C	46	4GE23Y-2NU	2	190.8	216.8	250	208-230/3/60	87.8	211.2	850	4	15.2	31.5 (800)	39600	W3G800GS2313A
FBJLD460BL6D	46	4GE23Y-2NU	2	95.5	110.5	125	460/3/60	43.9	176	850	4	7.68	31.5 (800)	39600	W3G800GS2603C
FBJLD500BL6C	50	6JE-25Y-2NU	2	200.8	228.0	250	208-230/3/60	92.8	294	850	4	15.2	31.5 (800)	39600	W3G800GS2313A
FBJLD500BL6D	50	6JE-25Y-2NU	2	100.5	116.1	125	460/3/60	46.4	245	850	4	7.68	31.5 (800)	39600	W3G800GS2603C
FBJLD5400L6C	54	6DHF93KE-TSK	2	176.6	200.8	225	208-230/3/60	80.7	263	850	4	15.2	31.5 (800)	39600	W3G800GS2313A
FBJLD5400L6D	54	6DHF93KE-TSK	2	88.5	102.6	110	460/3/60	40.4	225	850	4	7.68	31.5 (800)	39600	W3G800GS2603C
FBJLD560BL6C	56	4FE28Y-2NU	2	226.4	256.8	300	208-230/3/60	105.6	294	850	4	15.2	31.5 (800)	39600	W3G800GS2313A
FBJLD560BL6D	56	4FE28Y-2NU	2	113.3	130.5	150	460/3/60	52.8	245	850	4	7.68	31.5 (800)	39600	W3G800GS2603C
FBJLD6000L6C	60	6DJNF11ME-TSK	2	206.4	234.3	250	208-230/3/60	95.6	292	850	4	15.2	31.5 (800)	39600	W3G800GS2313A
FBJLD6000L6D	60	6DJNF11ME-TSK	2	103.3	119.2	125	460/3/60	47.8	235	850	4	7.68	31.5 (800)	39600	W3G800GS2603C
FBJLD680BL6C	68	6GE34Y-2NU	2	277.2	314.0	350	208-230/3/60	131.0	294	850	4	15.2	31.5 (800)	39600	W3G800GS2313A
FBJLD680BL6D	68	6GE34Y-2NU	2	138.7	159.1	175	460/3/60	65.5	245	850	4	7.68	31.5 (800)	39600	W3G800GS2603C
FBJLD880BL6C	88	6FE44Y-2NU	2	355.7	401.3	450	208-230/3/60	166.4	419.9	850	6	22.9	31.5 (800)	59400	W3G800GS2313A
FBJLD880BL6D	88	6FE44Y-2NU	2	177.9	202.7	225	460/3/60	83.2	350	850	6	11.5	31.5 (800)	59400	W3G800GS2603C

Modelo	Vent.	Desp. Vol. in <sup>3</sup> /rev	Flujo Másico CFM	Conexiones (DI) pulg		Recibidor		CONDENSADOR ESTÁNDAR								CONDENSADOR SOBREDIMENSIONADO							
				Succión	Líquido	Cap. al 90%	Largo		Ancho		Alto		Peso		Largo		Ancho		Alto		Peso		
							Lbs	Kgs	cm	pulg	cm	pulg	cm	pulg	Kg	Lbs	cm	pulg	cm	pulg	cm	pulg	Kg
<b>MEDIA TEMPERATURA</b>																							
FBLV1500M6C	2	35.07	35	1 5/8	7/8	150	68	434	171	112	44.4	155	61	727	1602	434	171	112	44.4	155	61	762	1676
FBLV1500M6D	2	35.07	35	1 5/8	7/8	150	68	434	171	112	44.4	155	61	727	1602	434	171	112	44.4	155	61	762	1676
FBLV1508M6C	2	33.97	34	1 5/8	7/8	150	68	434	171	112	44.4	155	61	645	1422	434	171	112	44.4	155	61	680	1496
FBLV1508M6D	2	33.97	34	1 5/8	7/8	150	68	434	171	112	44.4	155	61	645	1422	434	171	112	44.4	155	61	680	1496
FBLV2000M6C	2	43.39	46	2 1/8	7/8	150	68	434	171	112	44.4	155	61	727	1602	434	171	112	44.4	155	61	762	1676
FBLV2000M6D	2	43.39	46	2 1/8	7/8	150	68	434	171	112	44.4	155	61	727	1602	434	171	112	44.4	155	61	762	1676
FBLV2008M6C	2	39.49	40	1 5/8	7/8	150	68	434	171	112	44.4	155	61	747	1647	434	171	112	44.4	155	61	782	1720
FBLV2008M6D	2	39.49	40	1 5/8	7/8	150	68	434	171	112	44.4	155	61	747	1647	434	171	112	44.4	155	61	782	1720
FBLV2208M6C	2	44.68	45	1 5/8	7/8	150	68	434	171	112	44.4	155	61	777	1712	434	171	112	44.4	155	61	812	1786
FBLV2208M6D	2	44.68	45	1 5/8	7/8	150	68	434	171	112	44.4	155	61	777	1712	434	171	112	44.4	155	61	812	1786
FBLV2500M6C	2	50.24	50	2 1/8	1 1/8	150	68	434	171	112	44.4	155	61	749	1652	434	171	112	44.4	155	61	804	1769
FBLV2500M6D	2	50.24	50	2 1/8	1 1/8	150	68	434	171	112	44.4	155	61	749	1652	434	171	112	44.4	155	61	804	1769
FBLV2508M6C	2	51.93	52	2 1/8	1 1/8	150	68	434	171	112	44.4	155	61	888	1957	573	225	112	44.4	155	61	928	2042
FBLV2508M6D	2	51.93	52	2 1/8	1 1/8	150	68	434	171	112	44.4	155	61	888	1957	573	225	112	44.4	155	61	928	2042
FBLV3000M6C	2	61.66	60	2 1/8	1 1/8	150	68	434	171	112	44.4	155	61	854	1882	573	225	112	44.4	155	61	914	2011
FBLV3000M6D	2	61.66	60	2 1/8	1 1/8	150	68	434	171	112	44.4	155	61	854	1882	573	225	112	44.4	155	61	914	2011
FBLV3008M6C	2	59.33	60	2 1/8	1 1/8	150	68	434	171	112	44.4	155	61	743	1637	573	225	112	44.4	155	61	803	1767
FBLV3008M6D	2	59.33	60	2 1/8	1 1/8	150	68	434	171	112	44.4	155	61	743	1637	573	225	112	44.4	155	61	803	1767
FBLV3308M6C	3	67.02	68	2 1/8	1 1/8	150	68	573	225	112	44.4	155	61	825	1818	711	280	112	44.4	160	63	885	1947
FBLV3308M6D	3	67.02	68	2 1/8	1 1/8	150	68	573	225	112	44.4	155	61	825	1818	711	280	112	44.4	160	63	885	1947
FBLV3500M6C	3	74.68	69	2 1/8	1 1/8	150	68	573	225	112	44.4	155	61	1040	2293	711	280	112	44.4	160	63	1120	2464
FBLV3500M6D	3	74.68	69	2 1/8	1 1/8	150	68	573	225	112	44.4	155	61	1040	2293	711	280	112	44.4	160	63	1120	2464
FBLV3508M6C	3	77.9	78	2 1/8	1 1/8	150	68	573	225	112	44.4	155	61	870	1918	711	280	112	44.4	160	63	930	2046
FBLV3508M6D	3	77.9	78	2 1/8	1 1/8	150	68	573	225	112	44.4	155	61	870	1918	711	280	112	44.4	160	63	930	2046
FBLV4000M6C	3	89.2	90	2 1/8	1 1/8	150	68	573	225	112	44.4	155	61	1085	2393	711	280	112	44.4	160	63	1165	2563
FBLV4000M6D	3	89.2	90	2 1/8	1 1/8	150	68	573	225	112	44.4	155	61	1085	2393	711	280	112	44.4	160	63	1165	2563
FBLV4008M6C	3	88.99	90	2 1/8	1 1/8	150	68	573	225	112	44.4	155	61	1122	2473	711	280	112	44.4	160	63	1202	2644
FBLV4008M6D	3	88.99	90	2 1/8	1 1/8	150	68	573	225	112	44.4	155	61	1122	2473	711	280	112	44.4	160	63	1202	2644
FBLV5008M6C	4	106.69	108	2 1/8	1 1/8	150	68	711	280	112	44.4	160	63	1306	2879	711	280	112	44.4	160	63	1381	3038
FBLV5008M6D	4	106.69	108	2 1/8	1 1/8	150	68	711	280	112	44.4	160	63	1306	2879	711	280	112	44.4	160	63	1381	3038
<b>BAJA TEMPERATURA</b>																							
FBLV1200L6C	2	43.39	44	1 5/8	7/8	150	68	434	171	112	44.4	155	61	690	1522	434	171	112	44.4	155	61	725	1595
FBLV1200L6D	2	43.39	44	1 5/8	7/8	150	68	434	171	112	44.4	155	61	690	1522	434	171	112	44.4	155	61	725	1595
FBLV1500L6C	2	33.97	34	1 5/8	7/8	150	68	434	171	112	44.4	155	61	690	1522	434	171	112	44.4	155	61	725	1595
FBLV1500L6D	2	33.97	34	1 5/8	7/8	150	68	434	171	112	44.4	155	61	690	1522	434	171	112	44.4	155	61	725	1595
FBLV1508L6C	2	39.49	40	1 5/8	7/8	150	68	434	171	112	44.4	155	61	731	1612	434	171	112	44.4	155	61	766	1685
FBLV1508L6D	2	39.49	40	1 5/8	7/8	150	68	434	171	112	44.4	155	61	731	1612	434	171	112	44.4	155	61	766	1685
FBLV1808L6C	2	50.24	50	1 5/8	7/8	150	68	434	171	112	44.4	155	61	826	1822	434	171	112	44.4	155	61	861	1894
FBLV1808L6D	2	50.24	50	1 5/8	7/8	150	68	434	171	112	44.4	155	61	826	1822	434	171	112	44.4	155	61	861	1894
FBLV2200L6C	2	51.93	52	2 1/8	7/8	150	68	434	171	112	44.4	155	61	690	1522	434	171	112	44.4	155	61	725	1595
FBLV2200L6D	2	51.93	52	2 1/8	7/8	150	68	434	171	112	44.4	155	61	690	1522	434	171	112	44.4	155	61	725	1595
FBLV2308L6C	2	59.47	60	2 1/8	7/8	150	68	434	171	112	44.4	155	61	858	1892	434	171	112	44.4	155	61	893	1965
FBLV2308L6D	2	59.47	60	2 1/8	7/8	150	68	434	171	112	44.4	155	61	858	1892	434	171	112	44.4	155	61	893	1965
FBLV2508L6C	2	67.69	68	2 1/8	7/8	150	68	434	171	112	44.4	155	61	879	1937	434	171	112	44.4	155	61	914	2014
FBLV2508L6D	2	67.69	68	2 1/8	7/8	150	68	434	171	112	44.4	155	61	879	1937	434	171	112	44.4	155	61	914	2014
FBLV2700L6C	2	74.68	75	2 1/8	1 1/8	150	68	434	171	112	44.4	155	61	768	1692	434	171	112	44.4	155	61	803	1767
FBLV2700L6D	2	74.68	75	2 1/8	1 1/8	150	68	434	171	112	44.4	155	61	768	1692	434	171	112	44.4	155	61	803	1767
FBLV2808L6C	2	70.68	71	2 1/8	1 1/8	150	68	434	171	112	44.4	155	61	994	2192	434	171	112	44.4	155	61	1029	2264
FBLV2808L6D	2	70.68	71	2 1/8	1 1/8	150	68	434	171	112	44.4	155	61	994	2192	434	171	112	44.4	155	61	1029	2264
FBLV3000L6C	2	89.2	90	2 1/8	1 1/8	150	68	434	171	112	44.4	155	61	858	1892	434	171	112	44.4	155	61	893	1965
FBLV3000L6D	2	89.2	90	2 1/8	1 1/8	150	68	434	171	112	44.4	155	61	858	1892	434	171	112	44.4	155	61	893	1965
FBLV3408L6C	2	88.99	90	2 1/8	1 1/8	150	68	434	171	112	44.4	155	61	999	2202	434	171	112	44.4	155	61	1034	2275
FBLV3408L6D	2	88.99	90	2 1/8	1 1/8	150	68	434	171	112	44.4	155	61	999	2202	434	171	112	44.4	155	61	1034	2275
FBLV4408L6C	3	106.69	108	2 1/8	1 1/8	150	68	573	225	112	44.4	155	61	886	1953	573	225	112	44.4	155	61	961	2114
FBLV4408L6D	3	106.69	108	2 1/8	1 1/8	150	68	573	225	112	44.4	155	61	886	1953	573	225	112	44.4	155	61	961	2114





Modelo	Vent.	Desp. Vol. in3/rev	Flujo Másico CFM	Conexiones (DI)		Recibidor		CONDENSADOR ESTÁNDAR						CONDENSADOR SOBREDIMENSIONADO									
				pulg		Cap. al 90%	Largo		Ancho		Alto		Peso		Largo		Ancho		Alto		Peso		
				Succión	Líquido	Lbs	Kgs	cm	pulg	cm	pulg	cm	pulg	Kg	Lbs	cm	pulg	cm	pulg	cm	pulg	Kg	Lbs
<b>MEDIA TEMPERATURA</b>																							
FBJLD3000M6C	4	35.07	35	1 5/8	7/8	150	68	434	171	222	87	155	61	1453	3204	434	171	222	87	155	61	1523	3351
FBJLD3000M6D	4	35.07	35	1 5/8	7/8	150	68	434	171	222	87	155	61	1453	3204	434	171	222	87	155	61	1523	3351
FBJLD300BM6C	4	33.97	34	1 5/8	7/8	150	68	434	171	222	87	155	61	1292	2849	434	171	222	87	155	61	1362	2996
FBJLD300BM6D	4	33.97	34	1 5/8	7/8	150	68	434	171	222	87	155	61	1292	2849	434	171	222	87	155	61	1362	2996
FBJLD4000M6C	4	43.39	46	2 1/8	7/8	150	68	434	171	222	87	155	61	1453	3204	434	171	222	87	155	61	1523	3351
FBJLD4000M6D	4	43.39	46	2 1/8	7/8	150	68	434	171	222	87	155	61	1453	3204	434	171	222	87	155	61	1523	3351
FBJLD400BM6C	4	39.49	40	1 5/8	7/8	150	68	434	171	222	87	155	61	1494	3294	434	171	222	87	155	61	1564	3441
FBJLD400BM6D	4	39.49	40	1 5/8	7/8	150	68	434	171	222	87	155	61	1494	3294	434	171	222	87	155	61	1564	3441
FBJLD440BM6C	4	44.68	45	1 5/8	7/8	150	68	434	171	222	87	155	61	1553	3424	573	225	222	87	156	61	1633	3593
FBJLD440BM6D	4	44.68	45	1 5/8	7/8	150	68	434	171	222	87	155	61	1553	3424	573	225	222	87	156	61	1633	3593
FBJLD5000M6C	4	50.24	50	2 1/8	1-1/8"	145	65.6	434	171	222	87	155	61	1485	3274	573	225	222	87	156	61	1605	3531
FBJLD5000M6D	4	50.24	50	2 1/8	1-1/8"	145	65.6	434	171	222	87	155	61	1485	3274	573	225	222	87	156	61	1605	3531
FBJLD500BM6C	4	51.93	52	2 1/8	1-1/8"	145	65.6	434	171	222	87	155	61	1778	3919	573	225	222	87	156	61	1858	4088
FBJLD500BM6D	4	51.93	52	2 1/8	1-1/8"	145	65.6	434	171	222	87	155	61	1778	3919	573	225	222	87	156	61	1858	4088
FBJLD6000M6C	4	61.66	60	2 1/8	1-1/8"	145	65.6	434	171	222	87	155	61	1707	3764	573	225	222	87	156	61	1827	4019
FBJLD6000M6D	4	61.66	60	2 1/8	1-1/8"	145	65.6	434	171	222	87	155	61	1707	3764	573	225	222	87	156	61	1827	4019
FBJLD600BM6C	4	59.33	60	2 1/8	1-1/8"	145	65.6	434	171	222	87	155	61	1483	3269	573	225	222	87	156	61	1603	3527
FBJLD600BM6D	4	59.33	60	2 1/8	1-1/8"	145	65.6	434	171	222	87	155	61	1483	3269	712	280	222	87	156	61	1603	3527
FBJLD660BM6C	6	67.02	68	2 1/8	1-1/8"	145	65.6	573	225	222	87	156	61	1649	3636	712	280	222	87	156	61	1769	3892
FBJLD660BM6D	6	67.02	68	2 1/8	1-1/8"	145	65.6	573	225	222	87	156	61	1649	3636	712	280	222	87	156	61	1769	3892
FBJLD7000M6C	6	74.68	69	2 1/8	1-1/8"	145	65.6	573	225	222	87	156	61	1990	4386	712	280	222	87	156	61	2110	4642
FBJLD7000M6D	6	74.68	69	2 1/8	1-1/8"	145	65.6	573	225	222	87	156	61	1990	4386	712	280	222	87	156	61	2110	4642
FBJLD700BM6C	6	77.9	78	2 1/8	1-1/8"	145	65.6	573	225	222	87	156	61	1740	3836	712	280	222	87	156	61	1860	4092
FBJLD700BM6D	6	77.9	78	2 1/8	1-1/8"	145	65.6	573	225	222	87	156	61	1740	3836	712	280	222	87	156	61	1860	4092
FBJLD8000M6C	6	89.2	90	2 1/8	1-1/8"	145	65.6	573	225	222	87	156	61	2189	4826	712	280	222	87	156	61	2309	5080
FBJLD8000M6D	6	89.2	90	2 1/8	1-1/8"	145	65.6	573	225	222	87	156	61	2189	4826	712	280	222	87	156	61	2309	5080
FBJLD800BM6C	6	88.99	90	2 1/8	1-1/8"	145	65.6	573	225	222	87	156	61	2244	4946	712	280	222	87	156	61	2404	5289
FBJLD800BM6D	6	88.99	90	2 1/8	1-1/8"	145	65.6	573	225	222	87	156	61	2244	4946	712	280	222	87	156	61	2404	5289
FBJLD1000BM6C	8	106.69	108	2 1/8	1-1/8"	145	65.6	172	280	222	87	156	61	2612	5758	712	280	222	87	156	61	2762	6076
FBJLD1000BM6D	8	106.69	108	2 1/8	1-1/8"	145	65.6	172	280	222	87	156	61	2612	5758	712	280	222	87	156	61	2762	6076
<b>BAJA TEMPERATURA</b>																							
FBJLD2400L6C	4	43.39	44	1 5/8	7/8	145	65.6	434	171	222	87	155	61	1381	3044	434	171	222	87	155	61	1451	3192
FBJLD2400L6D	4	43.39	44	1 5/8	7/8	145	65.6	434	171	222	87	155	61	1381	3044	434	171	222	87	155	61	1451	3192
FBJLD3000L6C	4	33.97	34	1 5/8	7/8	145	65.6	434	171	222	87	155	61	1381	3044	434	171	222	87	155	61	1451	3192
FBJLD3000L6D	4	33.97	34	1 5/8	7/8	145	65.6	434	171	222	87	155	61	1381	3044	434	171	222	87	155	61	1451	3192
FBJLD300BL6C	4	39.49	40	1 5/8	7/8	145	65.6	434	171	222	87	155	61	1460	3219	434	171	222	87	155	61	1530	3366
FBJLD300BL6D	4	39.49	40	1 5/8	7/8	145	65.6	434	171	222	87	155	61	1460	3219	434	171	222	87	155	61	1530	3366
FBJLD360BL6C	4	50.24	50	1 5/8	7/8	145	65.6	434	171	222	87	155	61	1655	3649	434	171	222	87	155	61	1725	3795
FBJLD360BL6D	4	50.24	50	1 5/8	7/8	145	65.6	434	171	222	87	155	61	1655	3649	434	171	222	87	155	61	1725	3795
FBJLD4400L6C	4	51.93	52	2 1/8	7/8	145	65.6	434	171	222	87	155	61	1381	3044	434	171	222	87	155	61	1451	3192
FBJLD4400L6D	4	51.93	52	2 1/8	7/8	145	65.6	434	171	222	87	155	61	1381	3044	434	171	222	87	155	61	1451	3192
FBJLD460BL6C	4	59.47	60	2 1/8	7/8	145	65.6	434	171	222	87	155	61	1714	3779	434	171	222	87	155	61	1784	3925
FBJLD460BL6D	4	59.47	60	2 1/8	7/8	145	65.6	434	171	222	87	155	61	1714	3779	434	171	222	87	155	61	1784	3925
FBJLD500BL6C	4	67.69	68	2 1/8	7/8	145	65.6	434	171	222	87	155	61	1752	3862	434	171	222	87	155	61	1822	4016
FBJLD500BL6D	4	67.69	68	2 1/8	7/8	145	65.6	434	171	222	87	155	61	1752	3862	434	171	222	87	155	61	1822	4016
FBJLD5400L6C	4	74.68	75	2 1/8	1-1/8"	145	65.6	434	171	222	87	155	61	1730	3814	434	171	222	87	155	61	1800	3960
FBJLD5400L6D	4	74.68	75	2 1/8	1-1/8"	145	65.6	434	171	222	87	155	61	1730	3814	434	171	222	87	155	61	1800	3960
FBJLD560BL6C	4	70.68	71	2 1/8	1-1/8"	145	65.6	434	171	222	87	155	61	1943	4284	434	171	222	87	155	61	2013	4429
FBJLD560BL6D	4	70.68	71	2 1/8	1-1/8"	145	65.6	434	171	222	87	155	61	1943	4284	434	171	222	87	155	61	2013	4429
FBJLD6000L6C	4	89.2	90	2 1/8	1-1/8"	145	65.6	434	171	222	87	155	61	1730	3814	434	171	222	87	155	61	1800	3960
FBJLD6000L6D	4	89.2	90	2 1/8	1-1/8"	145	65.6	434	171	222	87	155	61	1730	3814	434	171	222	87	155	61	1800	3960
FBJLD680BL6C	4	88.99	90	2 1/8	1-1/8"	145	65.6	434	171	222	87	155	61	1995	4399	434	171	222	87	155	61	2065	4543
FBJLD680BL6D	4	88.99	90	2 1/8	1-1/8"	145	65.6	434	171	222	87	155	61	1995	4399	434	171	222	87	155	61	2065	4543
FBJLD880BL6C	6	106.69	108	2 1/8	1-1/8"	145	65.6	573	225	222	87	156	61	1770	3901	573	225	222	87	156	61	1880	4136
FBJLD880BL6D	6	106.69	108	2 1/8	1-1/8"	145	65.6	573	225	222	87	156	61	1770	3901	573	225	222	87	156	61	1880	4136

**UNIDADES CONDENSADORAS  
FBLV Y FBJLD**



Modelo	Compresor	H.P	TSC	TSE °F											C=Capacidad Btu's/h	P=Potencia watts	A=Corriente Amps.	
				-10	-5	0	5	10	15	20	25	30	35	40				45
				FBLV1500M6C	30S3R17ME-TFC	15	130	C	51.887	59.009	66.575	74.673	83.388	92.810				103.026
				P	11.639	12.375	13.117	13.862	14.606	15.346	16.078	16.800	17.507	18.197	18.866	19.510		
				A	38.0	39.8	41.6	43.4	45.2	47.0	48.8	50.6	52.4	54.2	55.8	57.4		
			120	C	58.221	66.033	74.444	83.543	93.416	104.151	115.836	128.557	142.403	157.461	173.817	191.560		
				P	11.248	11.934	12.618	13.298	13.969	14.630	15.275	15.902	16.507	17.087	17.639	18.159		
				A	37.2	38.8	40.4	42.0	43.7	45.3	46.9	48.4	49.9	51.4	52.8	54.1		
			110	C	64.512	73.040	82.325	92.453	103.511	115.587	128.769	143.144	158.799	175.822	194.300	214.320		
				P	10.825	11.457	12.081	12.692	13.288	13.865	14.420	14.949	15.449	15.917	16.348	16.741		
				A	36.2	37.6	39.1	40.6	42.0	43.4	44.8	46.1	47.3	48.5	49.5	50.5		
			100	C	70.837	80.110	90.296	101.480	113.751	127.197	141.904	157.959	175.451	194.467	215.094	237.420		
				P	10.369	10.944	11.504	12.044	12.561	13.051	13.513	13.941	14.332	14.684	14.992	15.254		
				A	35.1	36.4	37.7	39.0	40.2	41.4	42.5	43.6	44.5	45.4	46.2	46.8		
FBLV2000M6C	40BHR20ME-TSK	20	130	C	63.231	70.529	79.432	89.794	101.468	114.308	128.168	142.901	158.361	174.403	190.879	207.643		
				P	15.664	15.545	16.445	17.358	18.276	19.193	20.102	20.996	21.867	22.710	23.516	24.279		
				A	49.6	51.0	52.7	54.5	56.4	58.4	60.5	62.6	64.7	66.7	68.6	70.4		
			120	C	71.984	80.309	90.358	101.984	115.042	129.384	144.866	161.340	178.660	196.680	215.253	234.234		
				P	14.197	15.027	15.866	16.706	17.542	18.366	19.171	19.951	20.698	21.405	22.065	22.672		
				A	48.4	49.9	51.5	53.2	55.0	56.8	58.6	60.4	62.1	63.7	65.1	66.3		
			110	C	80.472	89.954	101.279	114.300	128.872	144.848	162.081	180.426	199.736	219.865	240.666	261.994		
				P	13.695	14.464	15.231	15.991	16.734	17.456	18.148	18.804	19.416	19.979	20.484	20.925		
				A	47.3	48.7	50.3	51.9	53.4	55.0	56.5	57.8	59.1	60.2	61.0	61.7		
			100	C	88.989	99.758	112.489	127.036	143.252	160.992	180.108	200.454	221.884	244.252	267.412	291.217		
				P	13.155	13.855	14.542	15.210	15.852	16.461	17.031	17.553	18.022	18.430	18.771	19.037		
				A	46.2	47.6	49.0	50.4	51.7	52.9	54.0	55.0	55.7	56.2	56.5	56.4		
FBLV2500M6C	40HNR22ME-TSK	25	130	C	67.990	75.838	85.411	96.552	109.105	122.912	137.815	153.657	170.281	187.530	205.246	223.272		
				P	15.600	16.537	17.495	18.466	19.443	20.418	21.385	22.336	23.263	24.159	25.017	25.829		
				A	55.7	57.3	59.2	61.2	63.4	65.6	68.0	70.3	72.7	74.9	77.1	79.1		
			120	C	77.403	86.354	97.159	109.660	123.701	139.123	155.770	173.484	192.107	211.484	231.455	251.864		
				P	15.103	15.986	16.878	17.773	18.662	19.539	20.395	21.224	22.019	22.771	23.474	24.119		
				A	54.4	56.1	57.9	59.8	61.8	63.8	65.9	67.9	69.8	71.5	73.1	74.5		
			110	C	86.529	96.725	108.902	122.903	138.572	155.750	174.281	194.006	214.770	236.414	258.781	281.713		
				P	14.569	15.387	16.204	17.011	17.803	18.570	19.306	20.004	20.656	21.254	21.791	22.261		
				A	53.1	54.8	56.5	58.3	60.0	61.8	63.4	65.0	66.4	67.6	68.6	69.3		
			100	C	95.687	107.267	120.956	136.598	154.035	173.109	193.664	215.542	238.585	262.637	287.540	313.136		
				P	13.995	14.739	15.470	16.181	16.864	17.512	18.118	18.674	19.172	19.607	19.969	20.252		
				A	51.9	53.5	55.1	56.6	58.1	59.5	60.7	61.8	62.6	63.2	63.5	63.4		
FBLV3000M6C	40HNR28ME-TSK	30	130	C	80.262	90.903	102.776	115.936	130.436	146.329	163.668	182.506	202.898	224.895	248.553	273.923		
				P	18.022	19.364	20.725	22.094	23.459	24.808	26.130	27.411	28.641	29.808	30.900	31.905		
				A	63.4	66.0	68.8	71.8	75.0	78.1	81.4	84.5	87.6	90.5	93.2	95.6		
			120	C	90.369	102.749	116.511	131.708	148.394	166.622	186.446	207.918	231.092	256.021	282.760	311.360		
				P	17.551	18.794	20.048	21.301	22.541	23.757	24.936	26.067	27.138	28.136	29.051	29.871		
				A	62.4	64.8	67.3	70.0	72.8	75.7	78.5	81.3	83.9	86.4	88.6	90.5		
			110	C	100.706	114.795	130.415	147.620	166.462	186.995	209.273	233.349	259.276	287.107	316.897	348.697		
				P	17.020	18.157	19.297	20.427	21.535	22.610	23.640	24.613	25.518	26.341	27.072	27.699		
				A	61.2	63.3	65.6	68.0	70.5	73.0	75.5	77.8	80.0	82.0	83.8	85.2		
			100	C	111.464	127.231	144.680	163.861	184.830	207.639	232.341	258.990	287.640	318.343	351.153	386.123		
				P	16.420	17.445	18.462	19.462	20.431	21.358	22.232	23.040	23.771	24.412	24.952	25.380		
				A	59.9	61.7	63.7	65.8	68.0	70.1	72.2	74.2	75.9	77.5	78.5	79.6		
FBLV3500M6C	60HNR35ME-TSK	35	130	C	98.839	113.865	129.868	147.036	165.559	185.622	207.414	231.124	256.937	285.043	315.629	348.883		
				P	22.403	24.162	25.914	27.643	29.338	30.984	32.568	34.077	35.497	36.816	38.019	39.093		
				A	75.4	79.4	83.4	87.5	91.5	95.4	99.3	103.0	106.6	110.0	113.0	115.9		
			120	C	113.791	130.309	148.106	167.370	188.288	211.048	235.839	262.847	292.261	324.269	359.057	396.815		
				P	22.032	23.620	25.191	26.732	28.230	29.671	31.042	32.330	33.521	34.601	35.558	36.378		
				A	74.7	78.2	81.8	85.4	88.9	92.3	95.6	98.8	101.7	104.4	106.9	109.0		
			110	C	128.794	146.693	166.172	187.419	210.621	235.967	263.644	293.839	326.742	362.539	401.418	443.567		
				P	21.495	22.907	24.294	25.642	26.939	28.170	29.324	30.385	31.342	32.180	32.886	33.446		
				A	73.5	76.6	79.7	82.8	85.8	88.7	91.5	94.0	96.4	98.4	100.2	101.6		
			100	C	143.976	163.144	184.193	207.311	232.686	260.505	290.956	324.228	360.507	399.982	442.839	489.269		
				P	20.788	22.018	23.216	24.366	25.457	26.475	27.405	28.236	28.953	29.544	29.994	30.291		
				A	72.1	74.7	77.4	79.9	82.4	84.8	87.0	88.9	90.7	92.1	93.2	94.0		
FBLV4000M6C	60HNR40ME-TSN	40	130	C	122.609	138.699	156.505	176.078	197.467	220.722	245.891	273.025	302.174	333.386	366.711	402.198		
				P	27.619	29.781	31.896	33.966	35.992	37.975	39.915	41.814	43.673	45.492	47.274	49.018		
				A	90.7	95.6	100.5	105.4	110.3	115.1	120.0	124.9	129.6	134.4	139.1	143.7		
			120	C	139.159	157.380	177.531	199.660	223.819	250.056	278.421	308.963	341.732	376.777	414.148	453.895		
				P	27.094	29.040	30.929	32.763	34.544	36.271	37.946	39.570	41.144	42.669	44.147	45.577		
				A	89.5	93.8	98.1	102.4	106.7	110.9	115.1	119.2	123.2	127.1	131.0	134.8		
			110	C	155.107	175.365	197.766	222.359	249.193	278.319	309.785	343.641	379.937	418.721	460.045	503.957		

Modelo	Compresor	H.P	TSC		TSE °F										C=Capacidad Btu's/h	P=Potencia watts	A=Corriente Amps.		
					-10	-5	0	5	10	15	20	25	30	35				40	45
FBV1500M60	30SBR17ME-TFO	15	130	C	51.887	59.009	66.575	74.673	83.388	92.810	103.026	114.122	126.186	139.306	153.569	169.063			
				P	11.639	12.375	13.117	13.862	14.606	15.346	16.078	16.800	17.507	18.197	18.866	19.510			
			120	C	58.221	66.033	74.444	83.543	93.416	104.151	115.836	128.557	142.403	157.461	173.817	191.560			
				P	11.248	11.934	12.618	13.298	13.969	14.630	15.275	15.902	16.507	17.087	17.639	18.159			
			110	C	64.512	73.040	82.325	92.453	103.511	115.587	128.769	143.144	158.799	175.822	194.300	214.320			
				P	10.825	11.457	12.081	12.692	13.288	13.865	14.420	14.949	15.449	15.917	16.348	16.741			
		100	C	70.837	80.110	90.296	101.480	113.751	127.197	141.904	157.959	175.451	194.467	215.094	237.420				
			P	10.369	10.944	11.504	12.044	12.561	13.051	13.513	13.941	14.332	14.684	14.992	15.254				
		FBV2000M60	40HNR20ME-TSK	20	130	C	63.231	70.529	79.432	89.794	101.468	114.308	128.168	142.901	158.361	174.403	190.879	207.643	
						P	14.664	15.545	16.445	17.358	18.276	19.193	20.102	20.996	21.867	22.710	23.516	24.279	
					120	C	71.984	80.309	90.358	101.984	115.042	129.384	144.866	161.340	178.660	196.680	215.253	234.234	
						P	14.197	15.027	15.866	16.706	17.542	18.366	19.171	19.951	20.698	21.405	22.065	22.672	
110	C				80.472	89.954	101.279	114.300	128.872	144.848	162.081	180.426	199.736	219.865	240.666	261.994			
	P				13.695	14.464	15.231	15.991	16.734	17.456	18.148	18.804	19.416	19.979	20.484	20.925			
100	C			88.989	99.758	112.489	127.036	143.252	160.992	180.108	200.454	221.884	244.252	267.412	291.217				
	P			13.155	13.855	14.542	15.210	15.852	16.461	17.031	17.553	18.022	18.430	18.771	19.037				
FBV2500M60	40HNR22ME-TSK			25	130	C	67.990	75.838	85.411	96.552	109.105	122.912	137.815	153.657	170.281	187.530	205.246	223.272	
						P	15.600	16.537	17.495	18.466	19.443	20.418	21.385	22.336	23.263	24.159	25.017	25.829	
					120	C	77.403	86.354	97.159	109.660	123.701	139.123	155.770	173.484	192.107	211.484	231.455	251.864	
						P	15.103	15.986	16.878	17.773	18.662	19.539	20.395	21.224	22.019	22.771	23.474	24.119	
		110	C		86.529	96.725	108.902	122.903	138.572	155.750	174.281	194.006	214.770	236.414	258.781	281.713			
			P		14.569	15.387	16.204	17.011	17.803	18.570	19.306	20.004	20.656	21.254	21.791	22.261			
		100	C	95.687	107.267	120.956	136.598	154.035	173.109	193.664	215.542	238.585	262.637	287.540	313.136				
			P	13.995	14.739	15.470	16.181	16.864	17.512	18.118	18.674	19.172	19.607	19.969	20.252				
		FBV3000M60	40JNR28ME-TSK	30	130	C	80.262	90.903	102.776	115.936	130.436	146.329	163.668	182.506	202.898	224.895	248.553	273.923	
						P	18.022	19.364	20.725	22.094	23.459	24.808	26.130	27.411	28.641	29.808	30.900	31.905	
					120	C	90.369	102.749	116.511	131.708	148.394	166.622	186.446	207.918	231.092	256.021	282.760	311.360	
						P	17.551	18.794	20.048	21.301	22.541	23.757	24.936	26.067	27.138	28.136	29.051	29.871	
110	C				100.706	114.795	130.415	147.620	166.462	186.995	209.273	233.349	259.276	287.107	316.897	348.697			
	P				17.020	18.157	19.297	20.427	21.535	22.610	23.640	24.613	25.518	26.341	27.072	27.699			
100	C			111.464	127.231	144.680	163.861	184.830	207.639	232.341	258.990	287.640	318.343	351.153	386.123				
	P			16.420	17.445	18.462	19.462	20.431	21.358	22.232	23.040	23.771	24.412	24.952	25.380				
FBV3500M60	60HNR35ME-TSK			35	130	C	98.839	113.865	129.868	147.036	165.559	185.622	207.414	231.124	256.937	285.043	315.629	348.883	
						P	22.403	24.162	25.914	27.643	29.338	30.984	32.568	34.077	35.497	36.816	38.019	39.093	
					120	C	113.791	130.309	148.106	167.370	188.288	211.048	235.839	262.847	292.261	324.269	359.057	396.815	
						P	22.032	23.620	25.191	26.732	28.230	29.671	31.042	32.330	33.521	34.601	35.558	36.378	
		110	C		128.794	146.693	166.172	187.419	210.621	235.967	263.644	293.839	326.742	362.539	401.418	443.567			
			P		21.495	22.907	24.294	25.642	26.939	28.170	29.324	30.385	31.342	32.180	32.886	33.446			
		100	C	143.976	163.144	184.193	207.311	232.686	260.505	290.956	324.228	360.507	399.982	442.839	489.269				
			P	20.788	22.018	23.216	24.366	25.457	26.475	27.405	28.236	28.953	29.544	29.994	30.291				



Modelo	Compresor	H.P	TSC	TSE °F C=Capacidad Btu's/h P=Potencia watts A=Corriente Amps.									
				-40	-35	-30	-25	-20	-15	-10	-5	0	
FBLV1200L6C	4DBNF54KE-TSK	12	130	C	14,831	22,625	29,901	36,871	43,748	50,743	58,070	65,939	74,563
			P	5,743	7,308	8,721	10,001	11,166	12,235	13,228	14,163	15,059	
			A	24.3	27.7	30.8	33.7	36.4	39.0	41.4	43.8	46.2	
			120	C	22,392	29,722	36,731	43,630	50,633	57,951	65,796	74,381	83,917
			P	6,714	8,005	9,165	10,213	11,167	12,048	12,874	13,664	14,437	
			A	26.5	29.2	31.8	34.2	36.4	38.6	40.7	42.7	44.8	
		110	C	28,436	35,455	42,348	49,329	56,610	64,402	72,919	82,371	92,971	
		P	7,256	8,309	9,253	10,107	10,889	11,618	12,315	12,997	13,683		
		A	27.6	29.8	31.9	33.9	35.7	37.5	39.3	41.1	42.9		
		100	C	33,466	40,325	47,255	54,470	62,181	70,600	79,939	90,411	102,227	
		P	7,464	8,318	9,083	9,779	10,426	11,042	11,646	12,257	12,894		
		A	27.9	29.7	31.4	33.0	34.6	36.1	37.7	39.2	40.9		
FBLV1500L6C	4DBNF63KE-TSK	15	130	C	26,473	33,151	39,841	46,700	53,883	61,548	69,851	78,948	88,995
			P	8,623	9,990	11,272	12,481	13,632	14,737	15,809	16,861	17,906	
			A	32.9	35.6	38.3	41.0	43.6	46.3	48.9	51.6	54.3	
			120	C	30,458	37,598	44,831	52,313	60,200	68,649	77,817	87,860	98,935
			P	8,965	10,153	11,262	12,306	13,297	14,247	15,172	16,082	16,992	
			A	33.7	36.1	38.4	40.7	43.0	45.2	47.5	49.8	52.1	
		110	C	35,290	42,911	50,705	58,829	67,439	76,692	86,744	97,751	109,872	
		P	9,134	10,170	11,132	12,035	12,892	13,714	14,516	15,311	16,111		
		A	34.0	36.0	38.1	40.0	42.0	43.9	45.9	47.8	49.8		
		100	C	40,827	48,947	57,322	66,107	75,459	85,534	96,489	108,481	121,665	
		P	9,151	10,060	10,901	11,689	12,437	13,157	13,863	14,567	15,283		
		A	33.8	35.7	37.4	39.1	40.8	42.5	44.2	45.8	47.5		
FBLV2200L6C	4DBNF76KE-TSK	22	130	C	26,265	35,794	45,173	54,536	64,017	73,746	83,858	94,485	105,760
			P	9,189	11,044	12,755	14,340	15,816	17,203	18,517	19,776	20,998	
			A	35.0	39.2	43.1	46.8	50.2	53.5	56.7	59.8	62.8	
			120	C	35,104	44,364	53,663	63,134	72,910	83,124	93,907	105,394	117,717
			P	9,962	11,548	13,008	14,360	15,623	16,813	17,950	19,049	20,131	
			A	37.0	40.5	43.7	46.8	49.8	52.6	55.4	58.1	60.8	
		110	C	42,803	52,088	61,600	71,473	81,838	92,828	104,577	117,218	130,882	
		P	10,388	11,739	12,984	14,138	15,221	16,251	17,244	18,220	19,195		
		A	38.1	41.0	43.7	46.3	48.8	51.3	53.7	56.1	58.6		
		100	C	49,553	59,156	69,174	79,741	90,989	103,050	116,057	130,144	145,443	
		P	10,526	11,678	12,742	13,734	14,672	15,576	16,461	17,347	18,251		
		A	38.5	40.9	43.1	45.3	47.5	49.6	51.8	54.0	56.4		
FBLV2700L6C	6DBNF93KE-TSK	27	130	C	33,690	43,994	55,038	66,789	79,210	92,268	105,929	120,158	134,921
			P	11,212	13,464	15,616	17,674	19,640	21,520	23,317	25,036	26,681	
			A	47.2	51.4	55.7	60.0	64.3	68.7	73.0	77.3	81.5	
			120	C	43,425	53,861	65,233	77,509	90,652	104,629	119,405	134,946	151,217
			P	12,431	14,337	16,162	17,912	19,591	21,202	22,751	24,240	25,675	
			A	49.3	52.9	56.6	60.3	64.1	67.8	71.6	75.3	79.0	
		110	C	52,173	62,891	74,742	87,692	101,707	116,752	132,794	149,796	167,725	
		P	13,029	14,636	16,183	17,674	19,114	20,505	21,852	23,161	24,433		
		A	50.3	53.4	56.6	59.8	63.0	66.3	69.6	72.9	76.1		
		100	C	60,357	71,506	83,985	97,760	112,796	129,059	146,515	165,128	184,866	
		P	13,153	14,511	15,828	17,109	18,357	19,576	20,772	21,947	23,107		
		A	50.4	53.1	55.8	58.6	61.5	64.3	67.2	70.2	73.1		
FBLV3000L6C	6DBNF11ME-TSK	30	130	C	41,472	52,816	64,505	76,668	89,432	102,926	117,278	132,615	149,068
			P	14,729	17,079	19,369	21,605	23,794	25,944	28,059	30,148	32,216	
			A	55.3	60.4	65.7	70.9	76.2	81.6	87.0	92.4	97.8	
			120	C	50,934	62,556	74,792	87,771	101,621	116,471	132,449	149,683	168,301
			P	15,436	17,516	19,547	21,537	23,492	25,419	27,325	29,216	31,098	
			A	57.0	61.5	66.1	70.8	75.5	80.3	85.2	90.0	94.9	
		110	C	60,303	72,287	85,156	99,039	114,062	130,355	148,046	167,262	188,132	
		P	15,760	17,589	19,382	21,146	22,888	24,613	26,330	28,043	29,761		
		A	57.7	61.7	65.7	69.8	74.0	78.3	82.6	87.0	91.4		
		100	C	69,286	81,721	95,310	110,182	126,465	144,288	163,778	185,063	208,273	
		P	15,771	17,371	18,947	20,506	22,054	23,599	25,146	26,703	28,276		
		A	57.7	61.1	64.7	68.3	72.0	75.8	79.7	83.6	87.6		

Modelo	Compresor	H.P	TSC	TSE °F C=Capacidad Btu's/h P=Potencia watts A=Corriente Amps.									
				-40	-35	-30	-25	-20	-15	-10	-5	0	
FBLV1200L60	40DNF54ME-TSK	12	130	C	14,831	22,625	29,901	36,871	43,748	50,743	58,070	65,939	74,563
			P	5,743	7,308	8,721	10,001	11,166	12,235	13,228	14,163	15,059	
			A	12.2	13.8	15.4	16.8	18.2	19.5	20.7	21.9	23.1	
			120	C	22,392	29,722	36,731	43,630	50,633	57,951	65,796	74,381	83,917
			P	6,714	8,005	9,165	10,213	11,167	12,048	12,874	13,664	14,437	
			A	13.2	14.6	15.9	17.1	18.2	19.3	20.3	21.4	22.4	
			110	C	28,436	35,455	42,348	49,329	56,610	64,402	72,919	82,371	92,971
			P	7,256	8,309	9,253	10,107	10,889	11,618	12,315	12,997	13,683	
			A	13.8	14.9	16.0	16.9	17.9	18.8	19.7	20.5	21.4	
			100	C	33,466	40,325	47,255	54,470	62,181	70,600	79,939	90,411	102,227
			P	7,464	8,318	9,083	9,779	10,426	11,042	11,646	12,257	12,894	
			A	14.0	14.9	15.7	16.5	17.3	18.1	18.8	19.6	20.4	
FBLV1500L60	40DNF63ME-TSK	15	130	C	26,473	33,151	39,841	46,700	53,883	61,548	69,851	78,948	88,995
			P	8,623	9,990	11,272	12,481	13,632	14,737	15,809	16,861	17,906	
			A	16.4	17.8	19.2	20.5	21.8	23.1	24.5	25.8	27.2	
			120	C	30,458	37,598	44,831	52,313	60,200	68,649	77,817	87,860	98,935
			P	8,965	10,153	11,262	12,306	13,297	14,247	15,172	16,082	16,992	
			A	16.9	18.0	19.2	20.4	21.5	22.6	23.7	24.9	26.0	
			110	C	35,290	42,911	50,705	58,829	67,439	76,692	86,744	97,751	109,872
			P	9,134	10,170	11,132	12,035	12,892	13,714	14,516	15,311	16,111	
			A	17.0	18.0	19.0	20.0	21.0	22.0	22.9	23.9	24.9	
			100	C	40,827	48,947	57,322	66,107	75,459	85,534	96,489	108,481	121,665
			P	9,151	10,060	10,901	11,689	12,437	13,157	13,863	14,567	15,283	
			A	16.9	17.8	18.7	19.6	20.4	21.3	22.1	22.9	23.8	
FBLV2200L60	40DNF76ME-TSK	22	130	C	26,265	35,794	45,173	54,536	64,017	73,746	83,858	94,485	105,760
			P	9,189	11,044	12,755	14,340	15,816	17,203	18,517	19,776	20,998	
			A	17.5	19.6	21.6	23.4	25.1	26.8	28.4	29.9	31.4	
			120	C	35,104	44,364	53,663	63,134	72,910	83,124	93,907	105,394	117,717
			P	9,962	11,548	13,008	14,360	15,623	16,813	17,950	19,049	20,131	
			A	18.5	20.2	21.9	23.4	24.9	26.3	27.7	29.0	30.4	
			110	C	42,803	52,088	61,600	71,473	81,838	92,828	104,577	117,218	130,882
			P	10,388	11,739	12,984	14,138	15,221	16,251	17,244	18,220	19,195	
			A	19.1	20.5	21.9	23.2	24.4	25.6	26.8	28.1	29.3	
			100	C	49,553	59,156	69,174	79,741	90,989	103,050	116,057	130,144	145,443
			P	10,526	11,678	12,742	13,734	14,672	15,576	16,461	17,347	18,251	
			A	19.3	20.4	21.6	22.7	23.7	24.8	25.9	27.0	28.2	
FBLV2700L60	60DNF93KE-TSK	27	130	C	33,690	43,994	55,038	66,789	79,210	92,268	105,929	120,158	134,921
			P	11,212	13,464	15,616	17,674	19,640	21,520	23,317	25,036	26,681	
			A	23.6	25.7	27.9	30.0	32.2	34.3	36.5	38.6	40.7	
			120	C	43,425	53,861	65,233	77,509	90,652	104,629	119,405	134,946	151,217
			P	12,431	14,337	16,162	17,912	19,591	21,202	22,751	24,240	25,675	
			A	24.7	26.5	28.3	30.2	32.0	33.9	35.8	37.7	39.5	
			110	C	52,173	62,891	74,742	87,692	101,707	116,752	132,794	149,796	167,725
			P	13,029	14,636	16,183	17,674	19,114	20,505	21,852	23,161	24,433	
			A	25.1	26.7	28.3	29.9	31.5	33.2	34.8	36.4	38.1	
			100	C	60,357	71,506	83,985	97,760	112,796	129,059	146,515	165,128	184,866
			P	13,153	14,511	15,828	17,109	18,357	19,576	20,772	21,947	23,107	
			A	25.2	26.5	27.9	29.3	30.7	32.2	33.6	35.1	36.5	
FBLV3000L60	60DNF11ME-TSK	30	130	C	41,472	52,816	64,505	76,668	89,432	102,926	117,278	132,615	149,068
			P	14,729	17,079	19,369	21,605	23,794	25,944	28,059	30,148	32,216	
			A	27.6	30.2	32.8	35.5	38.1	40.8	43.5	46.2	48.9	
			120	C	50,934	62,556	74,792	87,771	101,621	116,471	132,449	149,683	168,301
			P	15,436	17,516	19,547	21,537	23,492	25,419	27,325	29,216	31,098	
			A	28.5	30.8	33.1	35.4	37.8	40.2	42.6	45.0	47.5	
			110	C	60,303	72,287	85,156	99,039	114,062	130,355	148,046	167,262	188,132
			P	15,760	17,589	19,382	21,146	22,888	24,613	26,330	28,043	29,761	
			A	28.9	30.8	32.9	34.9	37.0	39.1	41.3	43.5	45.7	
			100	C	69,286	81,721	95,310	110,182	126,465	144,288	163,778	185,063	208,273
			P	15,771	17,371	18,947	20,506	22,054	23,599	25,146	26,703	28,276	
			A	28.9	30.6	32.3	34.1	36.0	37.9	39.8	41.8	43.8	

MODELO BLV COPELAND

R404A

460V-3F-60Hz



Modelo	Compresor	H.P	TSC	TSE °F C=Capacidad Btu's/h P=Potencia watts A=Corriente Amps.												
				-10	-5	0	5	10	15	20	25	30	35	40		
FBJLD3000M6C	30S3R17ME-TFC	15	130	C	103,774	118,019	133,151	149,345	166,777	185,620	206,051	228,243	252,372	278,612	307,138	338,126
			P	23,277	24,749	26,233	27,723	29,211	30,692	32,157	33,600	35,015	36,394	37,731	39,019	
			A	76.1	79.6	83.1	86.7	90.4	94.0	97.7	101.3	104.8	108.3	111.7	114.9	
			120	C	116,442	132,065	148,888	167,085	186,832	208,302	231,672	257,115	284,806	314,921	347,635	383,121
			P	22,496	23,867	25,236	26,596	27,939	29,259	30,550	31,804	33,015	34,175	35,278	36,318	
			A	74.3	77.5	80.8	84.0	87.3	90.6	93.7	96.9	99.9	102.8	105.5	108.1	
		110	C	129,024	146,081	164,650	184,905	207,022	231,175	257,539	286,288	317,598	351,644	388,599	428,640	
		P	21,650	22,914	24,161	25,384	26,576	27,730	28,840	29,898	30,898	31,833	32,697	33,481		
		A	72.3	75.3	78.2	81.1	84.0	86.8	89.5	92.1	94.6	96.9	99.0	101.0		
		100	C	141,673	160,220	180,591	202,960	227,503	254,394	283,807	315,919	350,903	388,934	430,188	474,839	
		P	20,737	21,888	23,007	24,087	25,121	26,103	27,025	27,881	28,665	29,368	29,985	30,508		
		A	70.3	72.9	75.5	78.0	80.5	82.8	85.1	87.2	89.1	90.8	92.3	93.6		
FBJLD4000M6C	40BNR20ME-TSK	20	130	C	126,462	141,058	158,864	179,587	202,935	228,615	256,335	285,802	316,723	348,806	381,757	415,286
			P	29,328	31,089	32,890	34,716	36,552	38,387	40,204	41,992	43,734	45,419	47,032	48,558	
			A	99.2	102.1	105.4	109.0	112.8	116.9	121.0	125.2	129.3	133.4	137.2	140.9	
			120	C	143,969	160,618	180,715	203,968	230,083	258,769	289,732	322,680	357,320	393,359	430,506	468,667
			P	28,394	30,054	31,731	33,413	35,085	36,733	38,343	39,902	41,395	42,810	44,131	45,345	
			A	96.8	99.8	103.0	106.5	110.0	113.6	117.3	120.8	124.2	127.3	130.2	132.7	
		110	C	160,944	179,908	202,557	228,600	257,743	289,695	324,162	360,852	399,472	439,730	481,332	523,987	
		P	27,389	28,928	30,463	31,981	33,469	34,912	36,296	37,607	38,832	39,957	40,968	41,850		
		A	94.6	97.5	100.6	103.7	106.9	110.0	112.9	115.7	118.2	120.3	122.1	123.3		
		100	C	177,977	199,516	224,979	254,072	286,505	321,983	360,215	400,908	443,769	488,505	534,824	582,434	
		P	26,311	27,709	29,084	30,420	31,704	32,922	34,061	35,106	36,044	36,860	37,541	38,073		
		A	92.4	95.2	98.0	100.7	103.4	105.8	108.1	109.9	111.4	112.5	113.0	112.9		
FBJLD5000M6C	40HNR22ME-TSK	25	130	C	135,981	151,675	170,821	193,104	218,210	245,823	275,629	307,314	340,562	375,060	410,492	446,544
			P	31,200	33,074	34,989	36,931	38,886	40,837	42,771	44,672	46,526	48,318	50,034	51,657	
			A	111.4	114.7	118.4	122.4	126.8	131.3	135.9	140.6	145.3	149.8	154.2	158.3	
			120	C	154,805	172,707	194,317	219,320	247,401	278,246	311,539	346,967	384,215	422,967	462,910	503,728
			P	30,207	31,972	33,757	35,546	37,324	39,077	40,790	42,449	44,038	45,542	46,948	48,239	
			A	108.8	112.1	115.8	119.6	123.6	127.7	131.7	135.7	139.5	143.0	146.3	149.3	
		110	C	173,058	193,449	217,803	245,806	277,144	311,500	348,561	388,013	429,540	472,827	517,561	563,427	
		P	29,137	30,774	32,407	34,023	35,605	37,140	38,612	40,008	41,311	42,508	43,583	44,522		
		A	106.3	109.5	113.0	116.5	120.1	123.5	126.9	130.0	132.8	135.2	137.2	138.6		
		100	C	191,374	214,533	241,912	273,196	308,070	346,219	387,328	431,084	477,171	525,274	575,080	626,273	
		P	27,990	29,478	30,940	32,361	33,728	35,024	36,235	37,347	38,345	39,213	39,938	40,504		
		A	103.9	107.0	110.1	113.2	116.2	118.9	121.4	123.5	125.2	126.4	126.9	126.8		
FBJLD6000M6C	40JNR20ME-TSK	30	130	C	160,523	181,805	205,553	231,873	260,872	292,658	327,335	365,012	405,795	449,791	497,105	547,846
			P	36,044	38,728	41,451	44,189	46,919	49,617	52,259	54,822	57,283	59,616	61,800	63,809	
			A	126.9	132.0	137.6	143.6	149.9	156.3	162.7	169.1	175.2	181.0	186.3	191.1	
			120	C	180,737	205,497	233,021	263,416	296,788	333,244	372,891	415,835	462,184	512,043	565,520	622,720
			P	35,101	37,587	40,095	42,602	45,082	47,513	49,872	52,133	54,275	56,273	58,103	59,742	
			A	124.8	129.5	134.6	140.0	145.6	151.4	157.0	162.6	167.9	172.8	177.2	181.0	
		110	C	201,412	229,590	260,830	295,239	332,924	373,991	418,547	466,698	518,552	574,215	633,793	697,394	
		P	34,040	36,315	38,594	40,853	43,070	45,220	47,280	49,227	51,035	52,682	54,145	55,399		
		A	122.5	126.6	131.2	136.0	141.0	146.0	150.9	155.7	160.1	164.1	167.6	170.4		
		100	C	222,927	254,463	289,359	327,722	369,660	415,277	464,682	517,980	575,279	636,686	702,306	772,246	
		P	32,841	34,889	36,925	38,924	40,862	42,717	44,464	46,080	47,542	48,824	49,905	50,760		
		A	119.8	123.4	127.4	131.6	135.9	140.2	144.4	148.3	151.9	154.9	157.4	159.2		
FBJLD7000M6C	60HNR35ME-TSK	35	130	C	197,679	227,729	259,735	294,073	331,117	371,244	414,829	462,247	513,874	570,086	631,258	697,766
			P	44,805	48,325	51,827	55,286	58,675	61,967	65,135	68,153	70,994	73,631	76,038	78,187	
			A	150.8	158.8	166.8	174.9	183.0	190.9	198.6	206.1	213.2	219.9	226.1	231.7	
			120	C	227,581	260,618	296,212	334,739	376,576	422,097	471,678	525,694	584,522	648,537	718,114	793,629
			P	44,064	47,240	50,382	53,465	56,461	59,343	62,085	64,660	67,042	69,203	71,117	72,757	
			A	149.4	156.4	163.6	170.7	177.7	184.6	191.2	197.5	203.4	208.8	213.7	217.9	
		110	C	257,587	293,385	332,343	374,837	421,242	471,933	527,287	587,679	653,484	725,077	802,836	887,134	
		P	42,991	45,814	48,587	51,284	53,877	56,341	58,647	60,770	62,683	64,359	65,771	66,893		
		A	147.1	153.3	159.5	165.6	171.6	177.4	182.9	188.1	192.7	196.9	200.4	203.3		
		100	C	287,952	326,288	368,386	414,622	465,372	521,010	581,913	648,456	721,014	799,963	885,679	978,537	
		P	41,576	44,037	46,431	48,733	50,914	52,949	54,811	56,472	57,907	59,088	59,989	60,583		
		A	144.1	149.4	154.7	159.9	164.9	169.6	173.9	177.9	181.3	184.2	186.4	187.9		
FBJLD8000M6C	60JNR40ME-TSN	40	130	C	245,218	277,398	313,011	352,157	394,935	441,444	491,783	546,051	604,347	666,771	733,421	804,397
			P	55,238	59,562	63,792	67,933	71,984	75,949	79,830	83,628	87,345	90,985	94,548	98,037	
			A	181.3	191.1	200.9	210.7	220.5	230.3	240.0	249.7	259.3	268.8	278.2	287.5	
			120	C	278,318	314,760	355,061	399,321	447,638	500,112	556,841	617,925	683,463	753,554	828,297	907,790
			P	54,188	58,079	61,858	65,527	69,087	72,542	75,892	79,140	82,288	85,339	88,294	91,155	
			A	179.0	187.7	196.3	204.9	213.4	221.8	230.1	238.3	246.4	254.3	262.0	269.6	
		110	C	310,213	350,730	395,532	444,718	498,386	556,637	619,569	687,282	759,873	837,443	920,090	1,007,914	
		P	52,729	56,209	59,556	62,774	65,864	68,828	71,669	74,388	76,987	79,469	81,836	84,090		
		A	175.7	183.3	190.9	198.3	205.6	212.7	219.5	226.5	233.1	239.5	245.6	251.5		
		100	C	343,208	387,612	436,727	490,651	549,483	613,324	682,270	756,423	835,881	920,742	1,011,106	1,107,073	
		P	50,865	53,953	56,890	59,677	62,317	64,812	67,163	69,374	71,445	73,379	75,179	76,845		
		A	171.6	178.2	184.8	191.1	197.2	203.2	208.9	214.3	219.5	224.4	229.0	233.3		



Modelo	Compresor	H.P	TSC	TSE °F C=Capacidad Btu's/h P=Potencia watts A=Corriente Amps.											35	40	45	
				-10	-5	0	5	10	15	20	25	30	35	40				45
FBJLD03000M6D	30S3R17ME-TFD	15	130	C	103,774	118,019	133,151	149,345	166,777	185,620	206,051	228,243	252,372	278,612	307,138	338,126		
			P	23,277	24,749	26,233	27,723	29,211	30,692	32,157	33,600	35,015	36,394	37,731	39,019			
			A	38.0	39.8	41.6	43.4	45.2	47.0	48.8	50.6	52.4	54.2	55.8	57.4			
			120	C	116,442	132,065	148,888	167,085	186,832	208,302	231,672	257,115	284,806	314,921	347,635	383,121		
			P	22,496	23,867	25,236	26,596	27,939	29,259	30,550	31,804	33,015	34,175	35,278	36,318			
			A	37.2	38.8	40.4	42.0	43.7	45.3	46.9	48.4	49.9	51.4	52.8	54.1			
		110	C	129,024	146,081	164,650	184,905	207,022	231,175	257,539	286,288	317,598	351,644	388,599	428,640			
		P	21,650	22,914	24,161	25,384	26,576	27,730	28,840	29,898	30,898	31,833	32,697	33,481				
		A	36.2	37.6	39.1	40.6	42.0	43.4	44.8	46.1	47.3	48.5	49.5	50.5				
		100	C	141,673	160,220	180,591	202,960	227,503	254,394	283,807	315,919	350,903	388,934	430,188	474,839			
		P	20,737	21,888	23,007	24,087	25,121	26,103	27,025	27,881	28,665	29,368	29,985	30,508				
		A	35.1	36.4	37.7	39.0	40.2	41.4	42.5	43.6	44.5	45.4	46.2	46.8				
FBJLD04000M6D	40BNR20ME-TSK	20	130	C	126,462	141,058	158,864	179,587	202,935	228,615	256,335	285,802	316,723	348,806	381,757	415,286		
			P	29,328	31,089	32,890	34,716	36,552	38,387	40,204	41,992	43,734	45,419	47,032	48,558			
			A	49.6	51.0	52.7	54.5	56.4	58.4	60.5	62.6	64.7	66.7	68.6	70.4			
			120	C	143,969	160,618	180,715	203,968	230,083	258,769	289,732	322,680	357,320	393,359	430,506	468,467		
			P	28,394	30,054	31,731	33,413	35,085	36,733	38,343	39,902	41,395	42,810	44,131	45,345			
			A	48.4	49.9	51.5	53.2	55.0	56.8	58.6	60.4	62.1	63.7	65.1	66.3			
		110	C	160,944	179,908	202,557	228,600	257,743	289,695	324,162	360,852	399,472	439,730	481,332	523,987			
		P	27,389	28,928	30,463	31,981	33,469	34,912	36,296	37,607	38,832	39,957	40,968	41,850				
		A	47.3	48.7	50.3	51.9	53.4	55.0	56.5	57.8	59.1	60.2	61.0	61.7				
		100	C	177,977	199,516	224,979	254,072	286,505	321,983	360,215	400,908	443,769	488,505	534,824	582,434			
		P	26,311	27,709	29,084	30,420	31,704	32,922	34,061	35,106	36,044	36,860	37,541	38,073				
		A	46.2	47.6	49.0	50.4	51.7	52.9	54.0	55.0	55.7	56.2	56.5	56.4				
FBJLD05000M6D	40HN22ME-TSK	25	130	C	135,981	151,675	170,821	193,104	218,210	245,823	275,629	307,314	340,562	375,060	410,492	446,544		
			P	31,200	33,074	34,989	36,931	38,886	40,837	42,771	44,672	46,526	48,318	50,034	51,657			
			A	55.7	57.3	59.2	61.2	63.4	65.6	68.0	70.3	72.7	74.9	77.1	79.1			
			120	C	154,805	172,702	194,317	219,320	247,401	278,246	311,539	346,967	384,215	422,967	462,910	503,728		
			P	30,207	31,972	33,757	35,546	37,324	39,077	40,790	42,449	44,038	45,542	46,948	48,239			
			A	54.4	56.1	57.9	59.8	61.8	63.8	65.9	67.9	69.8	71.5	73.5	75.5			
		110	C	173,058	193,449	217,803	245,806	277,144	311,500	348,561	388,013	429,540	472,827	517,561	563,427			
		P	29,137	30,774	32,407	34,023	35,605	37,140	38,612	40,008	41,311	42,508	43,583	44,522				
		A	53.1	54.8	56.5	58.3	60.0	61.8	63.4	65.0	66.4	67.6	68.6	69.3				
		100	C	191,374	214,533	241,912	273,196	308,070	346,219	387,328	431,084	477,171	525,274	575,080	626,273			
		P	27,990	29,478	30,940	32,361	33,728	35,024	36,235	37,347	38,345	39,213	39,938	40,504				
		A	51.9	53.5	55.1	56.6	58.1	59.5	60.7	61.8	62.6	63.2	63.5	63.4				
FBJLD06000M6D	40JNR20ME-TSK	30	130	C	160,523	181,805	205,553	231,873	260,872	292,658	327,335	365,012	405,795	449,791	497,105	547,846		
			P	36,044	38,728	41,451	44,189	46,919	49,617	52,259	54,822	57,283	59,616	61,800	63,809			
			A	63.4	66.0	68.8	71.8	75.0	78.1	81.4	84.5	87.6	90.5	93.2	95.6			
			120	C	180,737	205,497	233,021	263,416	296,788	333,244	372,891	415,835	462,184	512,043	565,520	622,720		
			P	35,101	37,587	40,095	42,602	45,082	47,513	49,872	52,133	54,275	56,273	58,103	59,742			
			A	62.4	64.8	67.3	70.0	72.8	75.7	78.5	81.3	83.9	86.4	88.6	90.5			
		110	C	201,412	229,590	260,830	295,239	332,924	373,991	418,547	466,698	518,552	574,215	633,793	697,394			
		P	34,040	36,315	38,594	40,853	43,070	45,220	47,280	49,227	51,035	52,682	54,145	55,399				
		A	61.2	63.3	65.6	68.0	70.5	73.0	75.5	77.8	80.0	82.0	83.8	85.2				
		100	C	222,927	254,463	289,359	327,722	369,660	415,277	464,682	517,980	575,279	636,686	702,306	772,246			
		P	32,841	34,889	36,925	38,924	40,862	42,717	44,464	46,080	47,542	48,824	49,905	50,760				
		A	59.9	61.7	63.7	65.8	68.0	70.1	72.2	74.2	75.9	77.5	78.7	79.6				
FBJLD07000M6D	60HN35ME-TSK	35	130	C	197,679	227,729	259,735	294,073	331,117	371,244	414,829	462,247	513,874	570,086	631,258	697,766		
			P	44,805	48,325	51,827	55,286	58,675	61,967	65,135	68,153	70,994	73,631	76,038	78,187			
			A	75.4	79.4	83.4	87.5	91.5	95.4	99.3	103.0	106.6	110.0	113.0	115.9			
			120	C	227,581	260,618	296,212	334,739	376,576	422,097	471,678	525,694	584,522	648,537	718,114	793,629		
			P	44,064	47,240	50,382	53,465	56,461	59,343	62,085	64,660	67,042	69,203	71,117	72,757			
			A	74.7	78.2	81.8	85.4	88.9	92.3	95.6	98.8	101.7	104.4	106.9	109.0			
		110	C	257,587	293,385	332,343	374,837	421,242	471,933	527,287	587,679	653,484	725,077	802,836	887,134			
		P	42,991	45,814	48,587	51,284	53,877	56,341	58,647	60,770	62,683	64,359	65,771	66,893				
		A	73.5	76.6	79.7	82.8	85.8	88.7	91.5	94.0	96.4	98.4	100.2	101.6				
		100	C	287,952	326,288	368,386	414,622	465,372	521,010	581,913	648,456	721,014	799,963	885,679	978,537			
		P	41,576	44,037	46,431	48,733	50,914	52,949	54,811	56,472	57,907	59,088	59,989	60,583				
		A	72.1	74.7	77.4	79.9	82.4	84.8	87.0	88.9	90.7	92.1	93.2	94.0				
FBJLD08000M6D	60JNR40ME-TSN	40	130	C	245,218	277,398	313,011	352,157	394,935	441,444	491,783	546,051	604,347	666,771	733,421	804,397		
			P	55,238	59,562	63,792	67,933	71,984	75,949	79,830	83,628	87,345	90,985	94,548	98,037			
			A	90.7	95.6	100.5	105.4	110.3	115.1	120.0	124.9	129.6	134.4	139.1	143.7			
			120	C	278,318	314,760	355,061	399,321	447,638	500,112	556,841	617,925	683,463	753,554	828,297	907,790		
			P	54,188	58,079	61,858	65,527	69,087	72,542	75,892	79,140	82,288	85,339	88,294	91,155			
			A	89.5	93.8	98.1	102.4	106.7	110.9	115.1	119.2	123.2	127.1	131.0	134.8			
		110	C	310,213	350,730	395,532	444,718	498,386	556,637	619,569	687,282	759,873	837,443	920,090	1,007,914			
		P	52,729	56,209	59,556	62,774	65,864	68,828	71,669	74,388	76,987	79,469	81,836	84,090				
		A	87.9	91.7	95.4	99.2	102.8	106.4	109.9	113.2	116.5	119.7	122.8	125.7				
		100	C	343,208	387,612	436,727	490,651	549,483	613,324	682,270	756,423	835,881	920,742	1,011,106	1,107,073			
		P	50,865	53,953	56,890	59,677	62,317	64,812	67,163	69,374	71,445	73,379	75,179	76,845				
		A	85.8	89.1	92.4	95.5	98.6	101.6	104.4	107.2	109.7	112.2	114.5	116.7				

Modelo	Compresor	H.P	TSC	TSE °F C=Capacidad Btu's/h P=Potencia watts A=Corriente Amps.									
				-40	-35	-30	-25	-20	-15	-10	-5	0	
FBJLD2400L6C	40BNF54KE-TSK	12	130	C	29.663	45.250	59.802	73.742	87.496	101.487	116.139	131.877	149.125
			P	11.486	14.617	17.443	20.002	22.331	24.470	26.455	28.325	30.119	
			A	48.7	55.3	61.5	67.3	72.7	77.9	82.9	87.7	92.4	
			120	C	44.784	59.444	73.461	87.261	101.266	115.902	131.592	148.761	167.833
			P	13.429	16.010	18.330	20.425	22.335	24.096	25.748	27.328	28.874	
			A	52.9	58.4	63.5	68.3	72.9	77.2	81.4	85.5	89.6	
		110	C	56.872	70.909	84.696	98.659	113.220	128.805	145.837	164.742	185.942	
		P	14.512	16.619	18.506	20.213	21.777	23.237	24.629	25.993	27.366		
		A	55.1	59.6	63.8	67.7	71.5	75.1	78.6	82.2	85.8		
		100	C	66.932	80.649	94.511	108.940	124.361	141.199	159.878	180.821	204.454	
		P	14.929	16.635	18.166	19.559	20.852	22.084	23.292	24.514	25.789		
		A	55.8	59.5	62.9	66.1	69.2	72.2	75.3	78.4	81.7		
FBJLD3000L6C	40HN63KE-TSK	15	130	C	52.945	66.302	79.683	93.400	107.767	123.096	139.701	157.895	177.991
			P	17.246	19.980	22.543	24.963	27.264	29.474	31.617	33.721	35.812	
			A	65.7	71.2	76.6	82.0	87.3	92.6	97.9	103.2	108.7	
			120	C	60.916	75.196	89.662	104.626	120.400	137.299	155.635	175.720	197.869
			P	17.929	20.306	22.525	24.612	26.593	28.495	30.343	32.164	33.984	
			A	67.4	72.2	76.8	81.4	86.0	90.5	95.0	99.6	104.2	
		110	C	70.579	85.821	101.410	117.658	134.878	153.383	173.487	195.503	219.743	
		P	18.268	20.339	22.265	24.071	25.783	27.429	29.033	30.622	32.222		
		A	67.9	72.1	76.1	80.1	84.0	87.8	91.7	95.6	99.5		
		100	C	81.653	97.895	114.644	132.214	150.917	171.068	192.978	216.961	243.330	
		P	18.303	20.119	21.803	23.379	24.874	26.314	27.726	29.135	30.567		
		A	67.7	71.3	74.8	78.3	81.7	85.0	88.3	91.7	95.1		
FBJLD4400L6C	40JN74KE-TSK	22	130	C	52.530	71.587	90.346	109.073	128.033	147.492	167.716	188.970	211.520
			P	18.378	22.087	25.509	28.679	31.633	34.405	37.033	39.552	41.997	
			A	70.1	78.4	86.2	93.5	100.5	107.1	113.4	119.6	125.6	
			120	C	70.208	88.728	107.326	126.268	145.820	166.247	187.815	210.789	235.434
			P	19.925	23.096	26.016	28.721	31.246	33.627	35.899	38.099	40.261	
			A	74.0	80.9	87.5	93.7	99.6	105.2	110.8	116.2	121.6	
		110	C	85.607	104.177	123.201	142.945	163.675	185.657	209.155	234.435	261.764	
		P	20.776	23.479	25.967	28.276	30.443	32.502	34.489	36.439	38.390		
		A	76.2	82.0	87.4	92.6	97.6	102.5	107.4	112.3	117.2		
		100	C	99.106	118.312	138.349	159.482	181.977	206.099	232.115	260.289	290.887	
		P	21.053	23.357	25.483	27.467	29.345	31.151	32.923	34.695	36.503		
		A	77.1	81.8	86.3	90.6	94.9	99.2	103.6	108.0	112.7		
FBJLD5400L6C	60HN79KE-TSK	27	130	C	67.380	87.988	110.077	133.577	158.420	184.537	211.858	240.316	269.841
			P	22.423	26.927	31.232	35.347	39.281	43.040	46.635	50.073	53.362	
			A	94.4	102.9	111.4	120.0	128.7	137.3	146.0	154.5	163.0	
			120	C	86.849	107.721	130.467	155.018	181.304	209.258	238.811	269.893	302.435
			P	24.862	28.673	32.325	35.825	39.182	42.405	45.501	48.480	51.349	
			A	98.6	105.9	113.2	120.7	128.2	135.7	143.2	150.7	158.1	
		110	C	104.346	125.782	149.484	175.384	203.414	233.505	265.587	299.592	335.451	
		P	26.057	29.272	32.367	35.349	38.227	41.010	43.705	46.321	48.867		
		A	100.6	106.8	113.1	119.5	126.1	132.6	139.2	145.8	152.3		
		100	C	120.714	143.011	167.969	195.519	225.592	258.118	293.029	330.257	369.731	
		P	26.307	29.023	31.657	34.218	36.714	39.153	41.544	43.894	46.214		
		A	100.9	106.2	111.6	117.2	122.9	128.7	134.5	140.3	146.1		
FBJLD6000L6C	60JN11ME-TSK	30	130	C	82.943	105.632	129.011	153.336	178.864	205.852	234.555	265.231	298.135
			P	29.458	34.158	38.738	43.210	47.589	51.887	56.118	60.295	64.432	
			A	110.6	120.9	131.3	141.9	152.5	163.2	174.0	184.8	195.7	
			120	C	101.869	125.111	149.583	175.541	203.242	232.942	264.898	299.365	336.601
			P	30.873	35.031	39.094	43.074	46.984	50.838	54.649	58.431	62.197	
			A	114.0	123.0	132.2	141.6	151.1	160.6	170.3	180.1	189.9	
		110	C	120.605	144.574	170.313	198.077	228.124	260.710	296.091	334.524	376.265	
		P	31.519	35.178	38.765	42.293	45.776	49.227	52.659	56.087	59.522		
		A	115.4	123.3	131.4	139.7	148.1	156.6	165.3	174.0	182.9		
		100	C	138.572	163.442	190.620	220.365	252.931	288.576	327.555	370.127	416.546	
		P	31.542	34.742	37.894	41.011	44.108	47.197	50.292	53.406	56.552		
		A	115.4	122.3	129.3	136.6	144.0	151.6	159.3	167.2	175.2		





Modelo	Compresor	H.P	TSC	TSE °F C=Capacidad Btu's/h P=Potencia watts A=Corriente Amps.									
				-40	-35	-30	-25	-20	-15	-10	-5	0	
FBJLD2400L60	40BNF54KE-TSK	12	130	C	29.663	45.250	59.802	73.742	87.496	101.487	116.139	131.877	149.125
			P	11.486	14.617	17.443	20.002	22.331	24.470	26.455	28.325	30.119	
			A	24.3	27.7	30.8	33.7	36.4	39.0	41.4	43.8	46.2	
			120	C	44.784	59.444	73.461	87.261	101.266	115.902	131.592	148.761	167.833
			P	13.429	16.010	18.330	20.425	22.335	24.096	25.748	27.328	28.874	
			A	26.5	29.2	31.8	34.2	36.4	38.6	40.7	42.7	44.8	
		110	C	56.872	70.909	84.696	98.659	113.220	128.805	145.837	164.742	185.942	
			P	14.512	16.619	18.506	20.213	21.777	23.237	24.629	25.993	27.366	
			A	27.6	29.8	31.9	33.9	35.7	37.5	39.3	41.1	42.9	
			100	C	66.932	80.649	94.511	108.940	124.361	141.199	159.878	180.821	204.454
			P	14.929	16.635	18.166	19.559	20.852	22.084	23.292	24.514	25.789	
			A	27.9	29.7	31.4	33.0	34.6	36.1	37.7	39.2	40.9	
FBJLD3000L60	40HN63KE-TSK	15	130	C	52.945	66.302	79.683	93.400	107.767	123.096	139.701	157.895	177.991
			P	17.246	19.980	22.543	24.963	27.264	29.474	31.617	33.721	35.812	
			A	32.9	35.6	38.3	41.0	43.6	46.3	48.9	51.6	54.3	
			120	C	60.916	75.196	89.662	104.626	120.400	137.299	155.635	175.720	197.869
			P	17.929	20.306	22.525	24.612	26.593	28.495	30.343	32.164	33.984	
			A	33.7	36.1	38.4	40.7	43.0	45.2	47.4	49.8	52.1	
		110	C	70.579	85.821	101.410	117.658	134.878	153.383	173.487	195.503	219.743	
			P	18.268	20.339	22.265	24.071	25.783	27.429	29.033	30.622	32.222	
			A	34.0	36.0	38.1	40.0	42.0	43.9	45.9	47.8	49.8	
			100	C	81.653	97.895	114.644	132.214	150.917	171.068	192.978	216.961	243.330
			P	18.303	20.119	21.803	23.379	24.874	26.314	27.726	29.135	30.567	
			A	33.8	35.7	37.4	39.1	40.8	42.5	44.2	45.8	47.5	
FBJLD4400L60	40JN74KE-TSK	22	130	C	52.530	71.587	90.346	109.073	128.033	147.492	167.716	188.970	211.520
			P	18.378	22.087	25.509	28.679	31.633	34.405	37.033	39.552	41.997	
			A	35.0	39.2	43.1	46.8	50.2	53.5	56.7	59.8	62.8	
			120	C	70.208	88.728	107.326	126.268	145.820	166.247	187.815	210.789	235.434
			P	19.925	23.096	26.016	28.721	31.246	33.627	35.899	38.099	40.261	
			A	37.0	40.5	43.7	46.8	49.8	52.6	55.4	58.1	60.8	
		110	C	85.607	104.177	123.201	142.945	163.675	185.657	209.155	234.435	261.764	
			P	20.776	23.479	25.967	28.276	30.443	32.502	34.489	36.439	38.390	
			A	38.1	41.0	43.7	46.3	48.8	51.3	53.7	56.1	58.6	
			100	C	99.106	118.312	138.349	159.482	181.977	206.099	232.115	260.289	290.887
			P	21.053	23.357	25.483	27.467	29.345	31.151	32.923	34.695	36.503	
			A	38.5	40.9	43.1	45.3	47.5	49.6	51.8	54.0	56.4	
FBJLD5400L60	60HN79KE-TSK	27	130	C	67.380	87.988	110.077	133.577	158.420	184.537	211.858	240.316	269.841
			P	22.423	26.927	31.232	35.347	39.281	43.040	46.635	50.073	53.362	
			A	47.2	51.4	55.7	60.0	64.3	68.7	73.0	77.3	81.5	
			120	C	86.849	107.721	130.467	155.018	181.304	209.258	238.811	269.893	302.435
			P	24.862	28.673	32.325	35.825	39.182	42.405	45.501	48.480	51.349	
			A	49.3	52.9	56.6	60.3	64.1	67.8	71.6	75.3	79.0	
		110	C	104.346	125.782	149.484	175.384	203.414	233.505	265.587	299.592	335.451	
			P	26.057	29.272	32.367	35.349	38.227	41.010	43.705	46.321	48.867	
			A	50.3	53.4	56.6	59.8	63.0	66.3	69.6	72.9	76.1	
			100	C	120.714	143.011	167.969	195.519	225.592	258.118	293.029	330.257	369.731
			P	26.307	29.023	31.657	34.218	36.714	39.153	41.544	43.894	46.214	
			A	50.4	53.1	55.8	58.6	61.5	64.3	67.2	70.2	73.1	
FBJLD6000L60	60JN11ME-TSK	30	130	C	82.943	105.632	129.011	153.336	178.864	205.852	234.555	265.231	298.135
			P	29.458	34.158	38.738	43.210	47.589	51.887	56.118	60.295	64.432	
			A	55.3	60.4	65.7	70.9	76.2	81.6	87.0	92.4	97.8	
			120	C	101.869	125.111	149.583	175.541	203.242	232.942	264.898	299.365	336.601
			P	30.873	35.031	39.094	43.074	46.984	50.838	54.649	58.431	62.197	
			A	57.0	61.5	66.1	70.8	75.5	80.3	85.2	90.0	94.9	
		110	C	120.605	144.574	170.313	198.077	228.124	260.710	296.091	334.524	376.265	
			P	31.519	35.178	38.765	42.293	45.776	49.227	52.659	56.087	59.522	
			A	57.7	61.7	65.7	69.8	74.0	78.3	82.6	87.0	91.4	
			100	C	138.572	163.442	190.620	220.365	252.931	288.576	327.555	370.127	416.546
			P	31.542	34.742	37.894	41.011	44.108	47.197	50.292	53.406	56.552	
			A	57.7	61.1	64.7	68.3	72.0	75.8	79.7	83.6	87.6	

MODELO JLD COPELAND

R404A

460V-3F-60Hz



Modelo	Compresor	H.P.	TSC	TSE °F C=Capacidad Btu's/h P=Potencia watts A=Corriente Amps.														
				-10	-5	0	5	10	15	20	25	30	35	40	45			
FBLV150BMAC	4PE315Y-2NU	15	130	C	38,605	44,965	52,017	59,830	68,473	78,014	88,522	100,065	112,711	126,531	141,591	157,961		
			P	8,857	9,727	10,605	11,484	12,358	13,220	14,065	14,887	15,677	16,431	17,142	17,804			
			A	30.0	31.7	33.6	35.5	37.5	39.5	41.5	43.4	45.4	47.3	49.2	50.9			
			120	C	45,610	52,892	60,946	69,839	79,641	90,419	102,243	115,180	129,300	144,672	161,362	179,441		
			P	8,792	9,599	10,407	11,209	12,000	12,773	13,522	14,241	14,922	15,560	16,149	16,681			
			A	29.8	31.4	33.1	34.9	36.6	38.4	40.1	41.9	43.5	45.1	46.6	48.0			
		110	C	52,710	60,910	69,959	79,926	90,880	102,889	116,023	130,349	145,936	162,853	181,168	200,950			
		P	8,673	9,411	10,145	10,866	11,570	12,249	12,897	13,508	14,075	14,593	15,054	15,453				
		A	29.6	31.0	32.6	34.1	35.6	37.2	38.7	40.1	41.5	42.8	44.1	45.0				
		100	C	59,918	69,028	79,066	90,101	102,201	115,436	129,873	145,581	162,629	181,085	201,019	222,498			
		P	8,500	9,167	9,821	10,457	11,068	11,648	12,190	12,689	13,138	13,530	13,859	14,120				
		A	29.2	30.5	31.9	33.2	34.5	35.8	37.1	38.2	39.3	40.2	41.1	41.7				
		FBLV200BMAC	4NE320Y-2NU	20	130	C	49,084	56,550	64,814	73,955	84,052	95,184	107,433	120,876	135,593	151,665	169,169	188,187
					P	11,211	12,175	13,150	14,128	15,101	16,063	17,005	17,920	18,801	19,640	20,429	21,161	
					A	35.4	37.5	39.6	41.8	44.1	46.3	48.6	50.9	53.1	55.3	57.3	59.3	
120	C				57,131	65,658	75,075	85,400	96,894	109,455	123,224	138,279	154,701	172,568	191,960	212,957		
P	10,954				11,851	12,750	13,645	14,528	15,391	16,227	17,028	17,786	18,495	19,146	19,733			
A	34.9				36.8	38.7	40.7	42.7	44.7	46.7	48.6	50.5	52.3	54.0	55.6			
110	C			65,210	74,792	85,356	96,980	109,744	123,727	139,010	155,671	173,790	193,446	214,720	237,689			
P	10,665			11,488	12,307	13,112	13,898	14,656	15,380	16,060	16,690	17,263	17,770	18,205				
A	34.3			36.0	37.7	39.5	41.2	42.9	44.6	46.3	47.8	49.2	50.5	51.7				
100	C			73,352	83,983	95,686	108,542	122,630	138,030	154,820	173,080	192,890	214,330	237,478	262,415			
P	10,342			11,086	11,817	12,527	13,210	13,857	14,462	15,016	15,511	15,942	16,299	16,575				
A	33.6			35.1	36.6	38.2	39.7	41.1	42.5	43.8	45.0	46.0	46.9	47.7				
FBLV250BMAC	4JE27Y-2NU			25	130	C	55,074	63,669	73,093	83,426	94,747	107,137	120,675	135,443	151,519	168,983	187,916	208,398
					P	12,300	13,396	14,493	15,585	16,667	17,732	18,777	19,794	20,780	21,728	22,632	23,489	
					A	37.8	40.2	42.6	45.2	47.8	50.4	53.0	55.6	58.2	60.7	63.1	65.5	
		120	C		64,522	74,263	84,926	96,591	109,339	123,250	138,403	154,879	172,757	192,118	213,041	235,607		
		P	12,229		13,230	14,225	15,207	16,173	17,116	18,031	18,913	19,755	20,553	21,301	21,994			
		A	37.5		39.7	42.0	44.3	46.6	48.9	51.1	53.4	55.5	57.6	59.6	61.5			
		110	C	73,923	84,784	96,661	109,635	123,785	139,192	155,935	174,094	193,750	214,982	237,870	262,495			
		P	12,045	12,947	13,836	14,706	15,552	16,369	17,151	17,892	18,588	19,233	19,821	20,346				
		A	37.1	39.1	41.1	43.1	45.1	47.0	49.0	50.8	52.6	54.3	55.8	57.2				
		100	C	83,268	95,225	108,292	122,550	138,077	154,955	173,263	193,081	214,490	237,569	262,397	289,057			
		P	11,752	12,551	13,330	14,084	14,807	15,494	16,139	16,737	17,283	17,770	18,194	18,550				
		A	36.5	38.2	39.9	41.6	43.3	44.9	46.5	48.0	49.4	50.6	51.7	52.6				
		FBLV300BMAC	4HE25Y-2NU	30	130	C	67,532	77,402	88,215	100,062	113,038	127,234	142,742	159,657	178,070	198,073	219,761	243,224
					P	14,973	16,209	17,447	18,680	19,902	21,107	22,288	23,439	24,554	25,626	26,649	27,617	
					A	47.3	50.0	52.8	55.7	58.5	61.4	64.3	67.2	70.0	72.7	75.4	77.9	
120	C				78,385	89,614	101,898	115,329	129,999	146,002	163,430	182,376	202,931	225,190	249,244	275,187		
P	14,790				15,927	17,058	18,177	19,277	20,352	21,396	22,403	23,366	24,278	25,134	25,927			
A	46.9				49.4	51.9	54.4	57.0	59.6	62.1	64.6	67.0	69.3	71.5	73.6			
110	C			89,117	101,671	115,390	130,369	146,700	164,475	183,787	204,728	227,392	251,871	278,257	306,643			
P	14,491			15,523	16,542	17,541	18,514	19,455	20,356	21,213	22,018	22,765	23,448	24,060				
A	46.2			48.4	50.7	53.0	55.2	57.4	59.6	61.7	63.6	65.5	67.3	68.8				
100	C			99,715	113,557	128,678	145,170	163,126	182,638	203,799	226,701	251,438	278,102	306,785	337,581			
P	14,078			15,001	15,902	16,776	17,616	18,416	19,170	19,871	20,512	21,089	21,593	22,020				
A	45.3			47.3	49.3	51.2	53.1	55.0	56.8	58.4	60.0	61.4	62.7	63.8				
FBLV400BMAC	4GE30Y-2NU			40	130	C	78,542	89,674	101,871	115,238	129,883	145,911	163,429	182,543	203,359	225,985	250,525	277,087
					P	17,391	18,792	20,196	21,595	22,982	24,350	25,693	27,002	28,271	29,494	30,662	31,769	
					A	56.5	59.5	62.7	65.9	69.2	72.4	75.7	79.0	82.2	85.3	88.3	91.2	
		120	C		90,955	103,692	117,626	132,862	149,508	167,668	187,451	208,961	232,306	257,591	284,924	314,409		
		P	17,148		18,445	19,736	21,014	22,272	23,504	24,701	25,857	26,964	28,017	29,007	29,928			
		A	55.9		58.7	61.6	64.5	67.4	70.4	73.3	76.1	78.9	81.5	84.1	86.4			
		110	C	103,202	117,496	133,118	150,175	168,773	189,018	211,016	234,875	260,699	288,596	318,672	351,034			
		P	16,774	17,960	19,131	20,282	21,404	22,490	23,535	24,530	25,469	26,344	27,149	27,876				
		A	55.1	57.6	60.2	62.8	65.4	68.0	70.5	72.9	75.2	77.4	79.4	81.2				
		100	C	115,249	131,051	148,314	167,142	187,644	209,925	234,091	260,249	288,505	318,966	351,737	386,925			
		P	16,274	17,340	18,384	19,399	20,378	21,313	22,197	23,024	23,787	24,477	25,090	25,616				
		A	54.0	56.3	58.5	60.8	63.0	65.2	67.3	69.3	71.1	72.8	74.3	75.6				



Modelo	Compresor	H.P	TSC	TSE °F C=Capacidad Btu's/h P=Potencia watts A=Corriente Amps.												
				-10	-5	0	5	10	15	20	25	30	35	40	45	
FBV330BMAC	6HE3Y-2NU	33	130	C	81,141	93,980	108,085	123,575	140,568	159,184	179,542	201,761	225,961	252,260	280,779	311,635
			P	18,172	19,795	21,401	22,982	24,528	26,030	27,479	28,866	30,180	31,414	32,558	33,603	
			A	62.9	66.2	69.5	72.9	76.3	79.7	83.1	86.4	89.6	92.7	95.6	98.3	
			120	C	95,148	109,639	125,526	142,927	161,962	182,750	205,410	230,062	256,825	285,817	317,158	350,968
			P	18,083	19,566	21,025	22,450	23,833	25,164	26,434	27,634	28,754	29,785	30,719	31,545	
			A	62.6	65.6	68.6	71.7	74.7	77.7	80.7	83.5	86.2	88.8	91.1	93.2	
		110	C	109,068	125,176	142,810	162,089	183,132	206,058	230,986	258,037	287,328	318,979	353,109	389,838	
		P	17,822	19,160	20,466	21,731	22,945	24,100	25,186	26,194	27,114	27,938	28,656	29,259		
		A	62.1	64.7	67.4	70.1	72.7	75.3	77.8	80.2	82.4	84.4	86.1	87.7		
		100	C	122,899	140,591	159,938	181,060	204,077	229,107	256,270	285,685	317,470	351,746	388,631	428,245	
		P	17,393	18,581	19,729	20,829	21,870	22,843	23,739	24,550	25,266	25,877	26,374	26,749		
		A	61.2	63.5	65.9	68.2	70.4	72.6	74.6	76.5	78.1	79.6	80.8	81.7		
FBV350BMAC	6HE3Y-2NU	35	130	C	99,325	113,934	129,919	147,414	166,554	187,474	210,309	235,196	262,268	291,661	323,510	357,951
			P	22,673	24,519	26,350	28,156	29,927	31,652	33,323	34,929	36,460	37,907	39,260	40,508	
			A	72.4	76.5	80.6	84.8	89.0	93.2	97.3	101.3	105.2	108.9	112.4	115.7	
			120	C	115,330	131,863	149,937	169,688	191,251	214,760	240,351	268,160	298,320	330,968	366,239	404,267
			P	22,337	24,022	25,684	27,313	28,898	30,431	31,900	33,297	34,611	35,833	36,952	37,959	
			A	71.6	75.3	79.0	82.8	86.5	90.2	93.8	97.3	100.6	103.7	106.6	109.2	
		110	C	131,063	149,489	169,622	191,598	215,552	241,620	269,936	300,635	333,853	369,724	408,385	449,970	
		P	21,799	23,321	24,811	26,260	27,658	28,994	30,260	31,445	32,539	33,532	34,416	35,178		
		A	70.3	73.7	77.0	80.3	83.6	86.8	89.9	92.8	95.5	98.0	100.2	102.2		
		100	C	146,594	166,881	189,042	213,212	239,527	268,122	299,131	332,690	368,935	407,999	450,019	495,130	
		P	21,083	22,438	23,753	25,020	26,227	27,365	28,424	29,394	30,265	31,028	31,672	32,188		
		A	68.7	71.7	74.6	77.5	80.3	83.0	85.5	87.9	90.0	91.9	93.5	94.7		
FBV400BMAC	6GE4Y-2NU	40	130	C	115,239	131,570	149,369	168,785	189,970	213,074	238,247	265,641	295,406	327,692	362,651	400,432
			P	26,523	28,602	30,666	32,703	34,705	36,661	38,562	40,398	42,158	43,833	45,414	46,890	
			A	89.4	93.7	98.1	102.5	106.9	111.3	115.6	119.8	123.9	127.8	131.5	135.0	
			120	C	133,472	152,013	172,231	194,278	218,305	244,460	272,897	303,764	337,213	373,394	412,458	454,556
			P	26,106	28,003	29,876	31,715	33,511	35,253	36,932	38,538	40,061	41,492	42,819	44,034	
			A	88.5	92.4	96.4	100.3	104.3	108.1	111.9	115.6	119.1	122.4	125.5	128.3	
		110	C	151,193	171,927	194,549	219,210	246,062	275,253	306,936	341,260	378,376	418,436	461,589	507,986	
		P	25,458	27,173	28,856	30,498	32,089	33,618	35,076	36,454	37,740	38,926	40,002	40,957		
		A	87.1	90.6	94.2	97.7	101.2	104.6	107.8	111.0	113.9	116.6	119.1	121.2		
		100	C	168,587	191,497	216,507	243,766	273,426	305,636	340,549	378,313	419,081	463,002	510,227	560,908	
		P	24,613	26,147	27,641	29,087	30,473	31,790	33,028	34,178	35,229	36,172	36,997	37,693		
		A	85.4	88.5	91.6	94.7	97.7	100.6	103.4	105.9	108.3	110.4	112.3	113.8		
FBV500BMAC	6FE5Y-2NU	50	130	C	142,086	161,994	183,591	207,061	232,588	260,357	290,551	323,356	358,955	397,533	439,274	484,362
			P	32,017	34,669	37,303	39,907	42,466	44,967	47,397	49,741	51,986	54,118	56,125	57,991	
			A	124.1	129.8	135.3	140.7	146.0	151.0	155.8	160.3	164.5	168.3	171.7	174.6	
			120	C	164,208	186,820	211,391	238,106	267,149	298,703	332,954	370,085	410,282	453,727	500,606	551,102
			P	31,737	34,166	36,567	38,925	41,227	43,460	45,609	47,661	49,603	51,421	53,100	54,628	
			A	123.5	128.8	133.9	138.8	143.6	148.2	152.5	156.5	160.2	163.5	166.3	168.7	
		110	C	185,793	211,059	238,555	268,465	300,972	336,263	374,520	415,928	460,671	508,934	560,901	616,755	
		P	31,164	33,364	35,525	37,631	39,670	41,627	43,490	45,245	46,877	48,373	49,720	50,903		
		A	122.3	127.1	131.7	136.2	140.6	144.6	148.4	151.9	155.0	157.8	160.1	161.9		
		100	C	206,863	234,733	265,103	298,157	334,080	373,056	415,269	460,904	510,144	563,174	620,178	681,341	
		P	30,313	32,279	34,192	36,041	37,810	39,486	41,056	42,506	43,822	44,991	45,998	46,831		
		A	120.5	124.8	128.9	133.0	136.8	140.3	143.6	146.5	149.1	151.3	153.0	154.2		

Modelo	Compresor	H.P	TSC	TSE °F											40	45
				-10	-5	0	5	10	15	20	25	30	35			
FBLV508M60	4PES15Y-2NU	15	130	C	38,605	44,965	52,017	59,830	68,473	78,014	88,522	100,065	112,711	126,531	141,591	157,961
			P	8,857	9,727	10,605	11,484	12,358	13,220	14,065	14,887	15,677	16,431	17,142	17,804	
			A	15.0	15.9	16.8	17.8	18.7	19.7	20.7	21.7	22.7	23.7	24.6	25.5	
			120	C	45,610	52,892	60,946	69,839	79,641	90,419	102,243	115,180	129,300	144,672	161,362	179,441
			P	8,792	9,599	10,407	11,209	12,000	12,773	13,522	14,241	14,922	15,560	16,149	16,681	
			A	14.9	15.7	16.6	17.4	18.3	19.2	20.1	20.9	21.8	22.6	23.3	24.0	
		110	C	52,710	60,910	69,959	79,926	90,880	102,889	116,023	130,349	145,936	162,853	181,168	200,950	
		P	8,673	9,411	10,145	10,866	11,570	12,249	12,897	13,508	14,075	14,593	15,054	15,453		
		A	14.8	15.5	16.3	17.1	17.8	18.6	19.3	20.1	20.7	21.4	22.0	22.5		
		100	C	59,918	69,028	79,066	90,101	102,201	115,436	129,873	145,581	162,629	181,085	201,019	222,498	
		P	8,500	9,167	9,821	10,457	11,068	11,648	12,190	12,689	13,138	13,530	13,859	14,120		
		A	14.6	15.3	15.9	16.6	17.3	17.9	18.5	19.1	19.6	20.1	20.5	20.9		
FBLV2008M60	4NES20Y-2NU	20	130	C	49,084	56,550	64,814	73,955	84,052	95,184	107,433	120,876	135,593	151,665	169,169	188,187
			P	11,211	12,175	13,150	14,128	15,101	16,063	17,005	17,920	18,801	19,640	20,429	21,161	
			A	17.7	18.7	19.8	20.9	22.0	23.2	24.3	25.4	26.5	27.6	28.7	29.7	
			120	C	57,131	65,658	75,075	85,460	96,894	109,455	123,224	138,279	154,701	172,568	191,960	212,957
			P	10,954	11,851	12,750	13,645	14,528	15,391	16,227	17,028	17,786	18,495	19,146	19,733	
			A	17.4	18.4	19.3	20.3	21.3	22.3	23.3	24.3	25.3	26.2	27.0	27.8	
		110	C	65,210	74,792	85,356	96,980	109,744	123,727	139,010	155,671	173,790	193,446	214,720	237,689	
		P	10,665	11,488	12,307	13,112	13,898	14,656	15,380	16,060	16,690	17,263	17,770	18,205		
		A	17.1	18.0	18.9	19.7	20.6	21.5	22.3	23.1	23.9	24.6	25.3	25.9		
		100	C	73,352	83,983	95,686	108,542	122,630	138,030	154,820	173,080	192,890	214,330	237,478	262,415	
		P	10,342	11,086	11,817	12,527	13,210	13,857	14,462	15,016	15,511	15,942	16,299	16,575		
		A	16.8	17.6	18.3	19.1	19.8	20.6	21.2	21.9	22.5	23.0	23.5	23.8		
FBLV208M60	4JE2Y-2NU	22	130	C	55,074	63,669	73,093	83,426	94,747	107,137	120,675	135,443	151,519	168,983	187,916	208,398
			P	12,300	13,396	14,493	15,585	16,667	17,732	18,777	19,794	20,780	21,728	22,632	23,489	
			A	18.9	20.1	21.3	22.6	23.9	25.2	26.5	27.8	29.1	30.4	31.6	32.7	
			120	C	64,522	74,263	84,926	96,591	109,339	123,250	138,403	154,879	172,757	192,118	213,041	235,607
			P	12,229	13,230	14,225	15,207	16,173	17,116	18,031	18,913	19,755	20,553	21,301	21,994	
			A	18.8	19.9	21.0	22.1	23.3	24.4	25.6	26.7	27.8	28.8	29.8	30.8	
		110	C	73,923	84,784	96,661	109,635	123,785	139,192	155,935	174,094	193,750	214,982	237,870	262,495	
		P	12,045	12,947	13,836	14,706	15,552	16,369	17,151	17,892	18,588	19,233	19,821	20,346		
		A	18.6	19.5	20.5	21.5	22.5	23.5	24.5	25.4	26.3	27.1	27.9	28.6		
		100	C	83,268	95,225	108,292	122,550	138,077	154,955	173,263	193,081	214,490	237,569	262,397	289,057	
		P	11,752	12,551	13,330	14,084	14,807	15,494	16,139	16,737	17,283	17,770	18,194	18,550		
		A	18.2	19.1	20.0	20.8	21.7	22.5	23.3	24.0	24.7	25.3	25.8	26.3		
FBLV2508M60	4HE25Y-2NU	25	130	C	67,532	77,402	88,215	100,062	113,038	127,234	142,742	159,657	178,070	198,073	219,761	243,224
			P	14,973	16,209	17,447	18,680	19,902	21,107	22,288	23,439	24,554	25,626	26,649	27,617	
			A	23.7	25.0	26.4	27.8	29.3	30.7	32.1	33.6	35.0	36.4	37.7	39.0	
			120	C	78,385	89,614	101,898	115,329	129,999	146,002	163,430	182,376	202,931	225,190	249,244	275,187
			P	14,790	15,927	17,058	18,177	19,277	20,352	21,396	22,403	23,366	24,278	25,134	25,927	
			A	23.5	24.7	25.9	27.2	28.5	29.8	31.0	32.3	33.5	34.6	35.7	36.8	
		110	C	89,117	101,671	115,390	130,369	146,700	164,475	183,787	204,728	227,392	251,871	278,257	306,643	
		P	14,491	15,523	16,542	17,541	18,514	19,455	20,356	21,213	22,018	22,765	23,448	24,060		
		A	23.1	24.2	25.3	26.5	27.6	28.7	29.8	30.8	31.8	32.8	33.6	34.4		
		100	C	99,715	113,557	128,678	145,170	163,126	182,638	203,799	226,701	251,438	278,102	306,785	337,581	
		P	14,078	15,001	15,902	16,776	17,616	18,416	19,170	19,871	20,512	21,089	21,593	22,020		
		A	22.7	23.6	24.6	25.6	26.6	27.5	28.4	29.2	30.0	30.7	31.3	31.9		
FBLV3008M60	4GE30Y-2NU	30	130	C	78,542	89,674	101,871	115,238	129,883	145,911	163,429	182,543	203,359	225,985	250,525	277,087
			P	17,391	18,792	20,196	21,595	22,982	24,350	25,693	27,002	28,271	29,494	30,662	31,769	
			A	28.2	29.8	31.3	32.9	34.6	36.2	37.9	39.5	41.1	42.6	44.1	45.6	
			120	C	90,955	103,692	117,626	132,862	149,508	167,668	187,451	208,961	232,306	257,591	284,924	314,409
			P	17,148	18,445	19,736	21,014	22,272	23,504	24,701	25,857	26,964	28,017	29,007	29,928	
			A	28.0	29.4	30.8	32.3	33.7	35.2	36.6	38.1	39.4	40.8	42.0	43.2	
		110	C	103,202	117,496	133,118	150,175	168,773	189,018	211,016	234,875	260,699	288,596	318,672	351,034	
		P	16,774	17,960	19,131	20,282	21,404	22,490	23,535	24,530	25,469	26,344	27,149	27,876		
		A	27.6	28.8	30.1	31.4	32.7	34.0	35.2	36.4	37.6	38.7	39.7	40.6		
		100	C	115,249	131,051	148,314	167,142	187,644	209,925	234,091	260,249	288,505	318,966	351,737	386,925	
		P	16,274	17,340	18,384	19,399	20,378	21,313	22,197	23,024	23,787	24,477	25,090	25,616		
		A	27.0	28.1	29.3	30.4	31.5	32.6	33.7	34.6	35.6	36.4	37.2	37.8		



Modelo	Compresor	H.P	TSC	TSE °F											C=Capacidad Btu's/h	P=Potencia watts	A=Corriente Amps.	
				-10	-5	0	5	10	15	20	25	30	35	40				45
FBLV308BM6D	6EE3Y-2NU	33	130	C	81,141	93,980	108,085	123,575	140,568	159,184	179,542	201,761	225,961	252,260	280,779	311,635		
			P	18,172	19,795	21,401	22,982	24,528	26,030	27,479	28,866	30,180	31,414	32,558	33,603			
			A	31.5	33.1	34.7	36.4	38.2	39.9	41.6	43.2	44.8	46.4	47.8	49.2			
			120	C	95,148	109,639	125,526	142,927	161,962	182,750	205,410	230,062	256,825	285,817	317,158	350,968		
			P	18,083	19,566	21,025	22,450	23,833	25,164	26,434	27,634	28,754	29,785	30,719	31,545			
			A	31.3	32.8	34.3	35.8	37.4	38.9	40.3	41.8	43.1	44.4	45.6	46.6			
		110	C	109,068	125,176	142,810	162,089	183,132	206,058	230,986	258,037	287,328	318,979	353,109	389,838			
		P	17,822	19,160	20,466	21,731	22,945	24,100	25,186	26,194	27,114	27,938	28,656	29,259				
		A	31.0	32.4	33.7	35.0	36.4	37.7	38.9	40.1	41.2	42.2	43.1	43.8				
		100	C	122,899	140,591	159,938	181,060	204,077	229,107	256,270	285,685	317,470	351,746	388,631	428,245			
		P	17,393	18,581	19,729	20,829	21,870	22,843	23,739	24,550	25,266	25,877	26,374	26,749				
		A	30.6	31.8	32.9	34.1	35.2	36.3	37.3	38.2	39.1	39.8	40.4	40.8				
FBLV350BM6D	6HE3Y-2NU	35	130	C	99,325	113,934	129,919	147,414	166,554	187,474	210,309	235,196	262,268	291,661	323,510	357,951		
			P	22,673	24,519	26,350	28,156	29,927	31,652	33,323	34,929	36,460	37,907	39,260	40,508			
			A	36.2	38.2	40.3	42.4	44.5	46.6	48.7	50.7	52.6	54.5	56.2	57.8			
			120	C	115,330	131,863	149,937	169,688	191,251	214,760	240,351	268,160	298,320	330,968	366,239	404,267		
			P	22,337	24,022	25,684	27,313	28,898	30,431	31,900	33,297	34,611	35,833	36,952	37,959			
			A	35.8	37.6	39.5	41.4	43.3	45.1	46.9	48.6	50.3	51.9	53.3	54.6			
		110	C	131,063	149,489	169,622	191,598	215,552	241,620	269,936	300,635	333,853	369,724	408,385	449,970			
		P	21,799	23,321	24,811	26,260	27,658	28,994	30,260	31,445	32,539	33,532	34,416	35,178				
		A	35.2	36.8	38.5	40.2	41.8	43.4	44.9	46.4	47.8	49.0	50.1	51.1				
		100	C	146,594	166,881	189,042	213,212	239,527	268,122	299,131	332,690	368,935	407,999	450,019	495,130			
		P	21,083	22,438	23,753	25,020	26,227	27,365	28,424	29,394	30,265	31,028	31,672	32,188				
		A	34.4	35.8	37.3	38.8	40.2	41.5	42.8	43.9	45.0	46.0	46.7	47.4				
FBLV408BM6D	6GE4Y-2NU	40	130	C	115,239	131,570	149,369	168,785	189,970	213,074	238,247	265,641	295,406	327,692	362,651	400,432		
			P	26,523	28,602	30,666	32,703	34,705	36,661	38,562	40,398	42,158	43,833	45,414	46,890			
			A	44.7	46.9	49.0	51.3	53.5	55.6	57.8	59.9	61.9	63.9	65.8	67.5			
			120	C	133,472	152,013	172,231	194,278	218,305	244,460	272,897	303,764	337,213	373,394	412,458	454,556		
			P	26,106	28,003	29,876	31,715	33,511	35,253	36,932	38,538	40,061	41,492	42,819	44,034			
			A	44.2	46.2	48.2	50.2	52.1	54.1	56.0	57.8	59.6	61.2	62.8	64.2			
		110	C	151,193	171,927	194,549	219,210	246,062	275,253	306,936	341,260	378,376	418,436	461,589	507,986			
		P	25,458	27,173	28,856	30,498	32,089	33,618	35,076	36,454	37,740	38,926	40,002	40,957				
		A	43.6	45.3	47.1	48.8	50.6	52.3	53.9	55.5	56.9	58.3	59.5	60.6				
		100	C	168,587	191,497	216,507	243,766	273,426	305,636	340,549	378,313	419,081	463,002	510,227	560,908			
		P	24,613	26,147	27,641	29,087	30,473	31,790	33,028	34,178	35,229	36,172	36,997	37,693				
		A	42.7	44.3	45.8	47.4	48.9	50.3	51.7	53.0	54.2	55.2	56.1	56.9				
FBLV500BM6D	6FE5Y-2NU	50	130	C	142,086	161,994	183,591	207,061	232,588	260,357	290,551	323,356	358,955	397,533	439,274	484,362		
			P	32,017	34,669	37,303	39,907	42,466	44,967	47,397	49,741	51,986	54,118	56,125	57,991			
			A	62.1	64.9	67.6	70.4	73.0	75.5	77.9	80.1	82.2	84.1	85.8	87.3			
			120	C	164,208	186,820	211,391	238,106	267,149	298,703	332,954	370,085	410,282	453,727	500,606	551,102		
			P	31,737	34,166	36,567	38,925	41,227	43,460	45,609	47,661	49,603	51,421	53,100	54,628			
			A	61.8	64.4	66.9	69.4	71.8	74.1	76.2	78.2	80.1	81.7	83.2	84.4			
		110	C	185,793	211,059	238,555	268,465	300,972	336,263	374,520	415,928	460,671	508,934	560,901	616,755			
		P	31,164	33,364	35,525	37,631	39,670	41,627	43,490	45,245	46,877	48,373	49,720	50,903				
		A	61.2	63.5	65.9	68.1	70.3	72.3	74.2	76.0	77.5	78.9	80.0	81.0				
		100	C	206,863	234,733	265,103	298,157	334,080	373,056	415,269	460,904	510,144	563,174	620,178	681,341			
		P	30,313	32,279	34,192	36,041	37,810	39,486	41,056	42,506	43,822	44,991	45,998	46,831				
		A	60.2	62.4	64.5	66.5	68.4	70.2	71.8	73.3	74.5	75.6	76.5	77.1				

Modelo	Compresor	H.P	TSC	TSE °F C=Capacidad Btu's/h P=Potencia watts A=Corriente Amps.									
				-40	-35	-30	-25	-20	-15	-10	-5	0	
FBLV150BL6C	4JE15Y-2NU	15	130	C	19,644	24,824	30,418	36,502	43,151	50,439	58,442	67,234	76,890
			P	6,817	7,776	8,773	9,803	10,858	11,933	13,023	14,121	15,223	
			A	27.4	28.9	30.7	32.6	34.7	37.0	39.3	41.8	44.3	
			120	C	24,114	29,901	36,184	43,039	50,540	58,762	67,781	77,671	88,506
			P	7,065	7,974	8,913	9,877	10,859	11,854	12,857	13,861	14,860	
			A	27.8	29.3	30.9	32.7	34.7	36.8	38.9	41.2	43.5	
		110	C	28,672	35,048	42,002	49,610	57,946	67,085	77,102	88,072	100,069	
		P	7,239	8,092	8,969	9,863	10,769	11,680	12,591	13,497	14,390		
		A	28.1	29.5	31.0	32.7	34.5	36.3	38.3	40.3	42.3		
		100	C	33,298	40,246	47,854	56,198	65,351	75,389	86,387	98,419	111,560	
		P	7,338	8,133	8,944	9,764	10,589	11,413	12,228	13,031	13,815		
		A	28.3	29.5	31.0	32.5	34.1	35.8	37.5	39.2	41.0		
FBLV180BL6C	4HE18Y-2NU	18	130	C	25,477	31,431	37,854	44,833	52,453	60,802	69,966	80,033	91,088
			P	8,470	9,567	10,714	11,905	13,134	14,393	15,676	16,974	18,283	
			A	30.1	32.1	34.4	36.9	39.6	42.5	45.5	48.6	51.9	
			120	C	30,441	37,121	44,366	52,264	60,900	70,362	80,737	92,110	104,569
			P	8,650	9,694	10,781	11,902	13,052	14,222	15,407	16,599	17,791	
			A	30.4	32.4	34.5	36.9	39.4	42.0	44.8	47.7	50.6	
		110	C	35,499	42,877	50,918	59,708	69,333	79,882	91,439	104,092	117,928	
		P	8,754	9,741	10,761	11,807	12,871	13,948	15,030	16,109	17,180		
		A	30.6	32.5	34.5	36.6	38.9	41.4	43.9	46.4	49.1		
		100	C	40,623	48,672	57,481	67,136	77,723	89,330	102,043	115,948	131,134	
		P	8,784	9,708	10,656	11,621	12,595	13,572	14,545	15,508	16,452		
		A	30.7	32.4	34.2	36.2	38.3	40.5	42.7	45.0	47.3		
FBLV230BL6C	4GE23Y-2NU	23	130	C	32,631	39,377	46,647	54,539	63,153	72,589	82,946	94,325	106,824
			P	10,407	11,660	12,980	14,359	15,789	17,262	18,769	20,304	21,858	
			A	33.7	36.3	39.2	42.4	45.8	49.4	53.1	57.1	61.1	
			120	C	38,027	45,637	53,884	62,868	72,687	83,442	95,232	108,157	122,315
			P	10,493	11,692	12,947	14,250	15,593	16,967	18,365	19,779	21,200	
			A	33.9	36.4	39.1	42.1	45.3	48.6	52.1	55.7	59.4	
		110	C	43,535	51,969	61,154	71,189	82,173	94,206	107,388	121,819	137,597	
		P	10,503	11,642	12,825	14,045	15,293	16,562	17,843	19,128	20,410		
		A	33.9	36.3	38.9	41.6	44.5	47.6	50.8	54.0	57.3		
		100	C	49,109	58,327	68,409	79,454	91,562	104,834	119,367	135,263	152,619	
		P	10,439	11,510	12,615	13,745	14,892	16,048	17,205	18,355	19,490		
		A	33.8	36.0	38.4	40.9	43.6	46.3	49.2	52.0	54.9		
FBLV280BL6C	4FE28Y-2NU	28	130	C	36,644	45,464	54,783	64,717	75,380	86,890	99,362	112,912	127,656
			P	11,818	13,478	15,191	16,947	18,737	20,550	22,376	24,205	26,028	
			A	45.4	48.5	51.9	55.6	59.5	63.6	67.8	72.1	76.6	
			120	C	44,231	53,833	64,092	75,124	87,045	99,970	114,015	129,298	145,932
			P	12,178	13,736	15,339	16,976	18,638	20,314	21,995	23,670	25,330	
			A	46.1	49.0	52.2	55.6	59.2	63.0	66.9	70.8	74.8	
		110	C	51,613	61,973	73,148	85,254	98,408	112,724	128,320	145,310	163,811	
		P	12,388	13,839	15,327	16,841	18,370	19,905	21,436	22,953	24,445		
		A	46.5	49.2	52.2	55.3	58.6	62.0	65.5	69.1	72.7		
		100	C	58,803	69,896	81,964	95,121	109,484	125,167	142,289	160,963	181,307	
		P	12,454	13,796	15,164	16,549	17,942	19,332	20,708	22,062	23,382		
		A	46.6	49.1	51.8	54.6	57.6	60.7	63.8	67.0	70.1		
FBLV340BL6C	6GE34Y-2NU	34	130	C	49,880	60,330	71,471	83,444	96,392	110,456	125,780	142,506	160,775
			P	16,170	18,139	20,186	22,298	24,464	26,671	28,908	31,164	33,424	
			A	53.8	58.1	62.7	67.7	72.9	78.3	83.8	89.5	95.2	
			120	C	58,947	70,427	82,782	96,155	110,687	126,521	143,798	162,662	183,255
			P	16,358	18,192	20,092	22,046	24,042	26,067	28,111	30,160	32,204	
			A	54.2	58.2	62.5	67.1	71.8	76.7	81.8	86.9	92.1	
		110	C	67,535	80,032	93,590	108,350	124,454	142,044	161,264	182,255	205,159	
		P	16,343	18,044	19,800	21,598	23,425	25,271	27,123	28,969	30,797		
		A	54.2	57.9	61.8	66.0	70.3	74.7	79.3	83.9	88.5		
		100	C	75,825	89,328	104,076	120,211	137,875	157,210	178,360	201,465	226,668	
		P	16,156	17,727	19,340	20,984	22,645	24,313	25,975	27,619	29,234		
		A	53.8	57.2	60.7	64.5	68.4	72.4	76.5	80.5	84.6		
FBLV440BL6C	6FE44Y-2NU	44	130	C	54,966	68,197	82,175	97,075	113,070	130,335	149,043	169,368	191,484
			P	18,626	21,065	23,577	26,146	28,757	31,398	34,053	36,708	39,348	
			A	74.0	78.6	83.5	88.7	94.1	99.8	105.6	111.5	117.5	
			120	C	66,346	80,750	96,138	112,686	130,567	149,955	171,023	193,946	218,898
			P	19,152	21,442	23,792	26,188	28,614	31,057	33,502	35,934	38,340	
			A	75.1	79.3	83.9	88.7	93.8	99.0	104.3	109.7	115.1	
		110	C	77,419	92,959	109,722	127,882	147,612	169,087	192,480	217,965	245,717	
		P	19,458	21,593	23,776	25,991	28,225	30,463	32,692	34,895	37,061		
		A	75.7	79.6	83.9	88.3	92.9	97.7	102.5	107.2	112.2		
		100	C	88,204	104,845	122,946	142,682	164,225	187,751	213,433	241,445	271,961	
		P	19,557	21,530	23,538	25,567	27,602	29,629	31,634	33,602	35,520		
		A	75.8	79.5	83.3	87.4	91.6	95.8	100.2	104.5	108.7		

Modelo	Compresor	H.P.	TSC	TSE °F C=Capacidad Btu's/h P=Potencia watts A=Corriente Amps.									
				-40	-35	-30	-25	-20	-15	-10	-5	0	
FBLV150BL6C	4JE15Y-2NU	15	130	C	19,644	24,824	30,418	36,502	43,151	50,439	58,442	67,234	76,890
			P	6,817	7,776	8,773	9,803	10,858	11,933	13,023	14,121	15,223	
			A	13.7	14.5	15.3	16.3	17.4	18.5	19.7	20.9	22.2	
			120	C	24,114	29,901	36,184	43,039	50,540	58,762	67,781	77,671	88,506
			P	7,065	7,974	8,913	9,877	10,859	11,854	12,857	13,861	14,860	
			A	13.9	14.6	15.5	16.4	17.3	18.4	19.5	20.6	21.7	
		110	C	28,672	35,048	42,002	49,610	57,946	67,085	77,102	88,072	100,069	
		P	7,239	8,092	8,969	9,863	10,769	11,680	12,591	13,497	14,390		
		A	14.1	14.7	15.5	16.3	17.2	18.2	19.1	20.1	21.2		
		100	C	33,298	40,246	47,854	56,198	65,351	75,389	86,387	98,419	111,560	
		P	7,338	8,133	8,944	9,764	10,589	11,413	12,228	13,031	13,815		
		A	14.1	14.8	15.5	16.2	17.0	17.9	18.7	19.6	20.5		
FBLV180BL6C	4HE18Y-2NU	18	130	C	25,477	31,431	37,854	44,833	52,453	60,802	69,966	80,033	91,088
			P	8,470	9,567	10,714	11,905	13,134	14,393	15,676	16,974	18,283	
			A	15.0	16.0	17.2	18.4	19.8	21.2	22.7	24.3	25.9	
			120	C	30,441	37,121	44,366	52,264	60,900	70,362	80,737	92,110	104,569
			P	8,650	9,694	10,781	11,902	13,052	14,222	15,407	16,599	17,791	
			A	15.2	16.2	17.3	18.4	19.7	21.0	22.4	23.8	25.3	
		110	C	35,499	42,877	50,918	59,708	69,333	79,882	91,439	104,092	117,928	
		P	8,754	9,741	10,761	11,807	12,871	13,948	15,030	16,109	17,180		
		A	15.3	16.2	17.2	18.3	19.5	20.7	21.9	23.2	24.5		
		100	C	40,623	48,672	57,481	67,136	77,723	89,330	102,043	115,948	131,134	
		P	8,784	9,708	10,656	11,621	12,595	13,572	14,545	15,508	16,452		
		A	15.3	16.2	17.1	18.1	19.2	20.2	21.4	22.5	23.6		
FBLV200BL6C	4GE20Y-2NU	23	130	C	32,631	39,377	46,647	54,539	63,153	72,589	82,946	94,325	106,824
			P	10,407	11,660	12,980	14,359	15,789	17,262	18,769	20,304	21,858	
			A	16.8	18.2	19.6	21.2	22.9	24.7	26.6	28.5	30.5	
			120	C	38,027	45,637	53,884	62,868	72,687	83,442	95,232	108,157	122,315
			P	10,493	11,692	12,947	14,250	15,593	16,967	18,365	19,779	21,200	
			A	17.0	18.2	19.6	21.1	22.6	24.3	26.0	27.8	29.7	
		110	C	43,535	51,969	61,154	71,189	82,173	94,206	107,388	121,819	137,597	
		P	10,503	11,642	12,825	14,045	15,293	16,562	17,843	19,128	20,410		
		A	17.0	18.1	19.4	20.8	22.3	23.8	25.4	27.0	28.6		
		100	C	49,109	58,327	68,409	79,454	91,562	104,834	119,367	135,263	152,619	
		P	10,439	11,510	12,615	13,745	14,892	16,048	17,205	18,355	19,490		
		A	16.9	18.0	19.2	20.4	21.8	23.2	24.6	26.0	27.5		
FBLV280BL6C	4FE28Y-2NU	28	130	C	36,644	45,464	54,783	64,717	75,380	86,890	99,362	112,912	127,656
			P	11,818	13,478	15,191	16,947	18,737	20,550	22,376	24,205	26,028	
			A	22.7	24.3	26.0	27.8	29.7	31.8	33.9	36.1	38.3	
			120	C	44,231	53,833	64,092	75,124	87,045	99,970	114,015	129,298	145,932
			P	12,178	13,736	15,339	16,976	18,638	20,314	21,995	23,670	25,330	
			A	23.1	24.5	26.1	27.8	29.6	31.5	33.4	35.4	37.4	
		110	C	51,613	61,973	73,148	85,254	98,408	112,724	128,320	145,310	163,811	
		P	12,388	13,839	15,327	16,841	18,370	19,905	21,436	22,953	24,445		
		A	23.3	24.6	26.1	27.6	29.3	31.0	32.8	34.6	36.3		
		100	C	58,803	69,896	81,964	95,121	109,484	125,167	142,289	160,963	181,307	
		P	12,454	13,796	15,164	16,549	17,942	19,332	20,708	22,062	23,382		
		A	23.3	24.5	25.9	27.3	28.8	30.3	31.9	33.5	35.1		
FBLV400BL6C	6GE34Y-2NU	34	130	C	49,880	60,330	71,471	83,444	96,392	110,456	125,780	142,506	160,775
			P	16,170	18,139	20,186	22,298	24,464	26,671	28,908	31,164	33,424	
			A	26.9	29.0	31.4	33.8	36.4	39.1	41.9	44.7	47.6	
			120	C	58,947	70,427	82,782	96,155	110,687	126,521	143,798	162,662	183,255
			P	16,358	18,192	20,092	22,046	24,042	26,067	28,111	30,160	32,204	
			A	27.1	29.1	31.3	33.5	35.9	38.4	40.9	43.5	46.1	
		110	C	67,535	80,032	93,590	108,350	124,454	142,044	161,264	182,255	205,159	
		P	16,343	18,044	19,800	21,598	23,425	25,271	27,123	28,969	30,797		
		A	27.1	28.9	30.9	33.0	35.1	37.4	39.7	42.0	44.3		
		100	C	75,825	89,328	104,076	120,211	137,875	157,210	178,360	201,465	226,668	
		P	16,156	17,727	19,340	20,984	22,645	24,313	25,975	27,619	29,234		
		A	26.9	28.6	30.4	32.3	34.2	36.2	38.2	40.3	42.3		
FBLV440BL6C	6FE44Y-2NU	44	130	C	54,966	68,197	82,175	97,075	113,070	130,335	149,043	169,368	191,484
			P	18,626	21,065	23,577	26,146	28,757	31,398	34,053	36,708	39,348	
			A	37.0	39.3	41.7	44.3	47.1	49.9	52.8	55.7	58.7	
			120	C	66,346	80,750	96,138	112,686	130,567	149,955	171,023	193,946	218,898
			P	19,152	21,442	23,792	26,188	28,614	31,057	33,502	35,934	38,340	
			A	37.5	39.7	42.0	44.4	46.9	49.5	52.2	54.9	57.6	
		110	C	77,419	92,959	109,722	127,882	147,612	169,087	192,480	217,965	245,717	
		P	19,458	21,593	23,776	25,991	28,225	30,463	32,692	34,895	37,061		
		A	37.8	39.8	41.9	44.1	46.5	48.8	51.2	53.7	56.1		
		100	C	88,204	104,845	122,946	142,682	164,225	187,751	213,433	241,445	271,961	
		P	19,557	21,530	23,538	25,567	27,602	29,629	31,634	33,602	35,520		
		A	37.9	39.7	41.7	43.7	45.8	47.9	50.1	52.2	54.4		

Modelo	Compresor	H.P	TSC	TSE °F C=Capacidad Btu's/h P=Potencia watts A=Corriente Amps.												
				-10	-5	0	5	10	15	20	25	30	35	40	45	
FBJLD300BM6C	4PES15Y-2NU	30	130	C	77.211	89.930	104.035	119.661	136.946	156.028	177.043	200.129	225.423	253.061	283.182	315.922
			P	17.715	19.454	21.209	22.967	24.715	26.441	28.131	29.773	31.354	32.862	34.284	35.607	
			A	59.9	63.5	67.2	71.0	75.0	78.9	82.9	86.9	90.8	94.6	98.3	101.8	
			120	C	91.219	105.785	121.892	139.679	159.282	180.838	204.486	230.361	258.601	289.343	322.725	358.883
			P	17.584	19.197	20.813	22.418	24.001	25.547	27.045	28.482	29.845	31.121	32.298	33.363	
			A	59.6	62.9	66.3	69.7	73.3	76.8	80.3	83.7	87.1	90.3	93.3	96.1	
		110	C	105.421	121.820	139.917	159.852	181.760	205.779	232.046	260.698	291.872	325.706	362.336	401.901	
		P	17.345	18.823	20.289	21.733	23.140	24.498	25.794	27.016	28.151	29.186	30.108	30.906		
		A	59.1	62.1	65.1	68.2	71.3	74.4	77.3	80.2	83.0	85.5	87.9	90.0		
		100	C	119.836	138.055	158.132	180.201	204.402	230.871	259.745	291.162	325.258	362.171	402.038	444.995	
		P	17.001	18.333	19.642	20.913	22.135	23.295	24.381	25.378	26.276	27.060	27.719	28.239		
		A	58.4	61.1	63.7	66.4	69.1	71.6	74.1	76.4	78.6	80.5	82.1	83.5		
FBJLD400BM6C	4NES20Y-2NU	40	130	C	98.168	113.101	129.628	147.909	168.103	190.369	214.865	241.752	271.187	303.329	338.338	376.373
			P	22.423	24.350	26.300	28.255	30.202	32.126	34.010	35.841	37.602	39.280	40.858	42.322	
			A	70.9	75.0	79.2	83.6	88.1	92.7	97.2	101.7	106.2	110.5	114.7	118.7	
			120	C	114.261	131.316	150.149	170.920	193.788	218.911	246.448	276.558	309.401	345.135	383.920	425.913
			P	21.908	23.702	25.501	27.290	29.056	30.782	32.453	34.055	35.572	36.990	38.292	39.465	
			A	69.8	73.5	77.4	81.4	85.4	89.4	93.3	97.2	101.0	104.6	108.0	111.2	
		110	C	130.420	149.584	170.711	193.959	219.487	247.454	278.019	311.341	347.579	386.892	429.439	475.379	
		P	21.330	22.977	24.613	26.225	27.796	29.313	30.759	32.120	33.381	34.526	35.540	36.409		
		A	68.6	72.0	75.4	78.9	82.4	85.9	89.3	92.5	95.6	98.5	101.1	103.4		
		100	C	146.704	167.965	191.373	217.085	245.261	276.059	309.640	346.160	385.781	428.660	474.956	524.829	
		P	20.684	22.171	23.633	25.054	26.420	27.715	28.923	30.031	31.023	31.883	32.598	33.151		
		A	67.3	70.3	73.3	76.3	79.3	82.2	85.0	87.6	90.0	92.1	93.9	95.4		
FBJLD400BM6C	4JEZ2Y-2NU	44	130	C	110.149	127.339	146.187	166.852	189.494	214.274	241.351	270.885	303.037	337.966	375.833	416.797
			P	24.599	26.792	28.986	31.170	33.333	35.465	37.554	39.589	41.560	43.455	45.265	46.977	
			A	75.5	80.3	85.3	90.4	95.6	100.8	106.1	111.3	116.4	121.4	126.3	131.0	
			120	C	129.045	148.526	169.852	193.183	218.679	246.500	276.806	309.757	345.514	384.235	426.082	471.213
			P	24.458	26.460	28.449	30.415	32.346	34.232	36.062	37.825	39.510	41.106	42.602	43.988	
			A	75.1	79.5	83.9	88.5	93.1	97.7	102.3	106.7	111.1	115.3	119.3	123.0	
		110	C	147.845	169.567	193.322	219.270	247.570	278.383	311.869	348.188	387.499	429.963	475.740	524.990	
		P	24.090	25.894	27.672	29.412	31.104	32.738	34.302	35.785	37.176	38.465	39.641	40.693		
		A	74.2	78.1	82.1	86.1	90.1	94.1	97.9	101.6	105.2	108.5	111.6	114.4		
		100	C	166.537	190.450	216.585	245.099	276.155	309.910	346.526	386.163	428.980	475.137	524.795	578.113	
		P	23.504	25.103	26.661	28.169	29.615	30.988	32.279	33.475	34.566	35.541	36.389	37.099		
		A	72.9	76.3	79.8	83.2	86.6	89.9	93.0	96.0	98.7	101.2	103.4	105.2		
FBJLD500BM6C	4HEZ5Y-2NU	50	130	C	135.063	154.804	176.429	200.125	226.075	254.467	285.485	319.314	356.139	396.147	439.521	486.449
			P	29.947	32.418	34.894	37.360	39.804	42.213	44.576	46.878	49.107	51.252	53.298	55.234	
			A	94.7	100.1	105.6	111.3	117.0	122.8	128.6	134.3	140.0	145.4	150.8	155.9	
			120	C	156.770	179.229	203.796	230.658	259.999	292.004	326.860	364.751	405.863	450.380	498.489	550.374
			P	29.579	31.853	34.115	36.353	38.554	40.704	42.793	44.806	46.731	48.556	50.267	51.853	
			A	93.8	98.7	103.8	108.9	114.0	119.1	124.2	129.1	133.9	138.6	143.0	147.1	
		110	C	178.234	203.341	230.781	260.738	293.399	328.949	367.573	409.456	454.784	503.741	556.514	613.287	
		P	28.981	31.046	33.084	35.082	37.028	38.909	40.712	42.425	44.035	45.530	46.895	48.120		
		A	92.5	96.9	101.4	105.9	110.4	114.8	119.1	123.3	127.3	131.0	134.5	137.7		
		100	C	199.429	227.114	257.356	290.340	326.251	365.275	407.597	453.402	502.876	556.203	613.570	675.161	
		P	28.157	30.001	31.804	33.552	35.232	36.832	38.339	39.741	41.025	42.177	43.186	44.039		
		A	90.7	94.6	98.5	102.4	106.3	110.0	113.5	116.9	120.0	122.9	125.4	127.5		
FBJLD600BM6C	4GE30Y-2NU	60	130	C	157.085	179.349	203.742	230.477	259.766	291.822	326.858	365.086	406.719	451.969	501.050	554.174
			P	34.782	37.584	40.392	43.190	45.964	48.700	51.385	54.004	56.543	58.987	61.324	63.538	
			A	113.0	119.1	125.4	131.8	138.3	144.9	151.4	157.9	164.3	170.6	176.6	182.4	
			120	C	181.911	207.385	235.252	265.725	299.015	335.337	374.901	417.922	464.612	515.183	569.847	628.819
			P	34.295	36.889	39.472	42.028	44.545	47.007	49.401	51.713	53.929	56.034	58.014	59.856	
			A	111.9	117.5	123.2	129.0	134.9	140.7	146.5	152.2	157.7	163.1	168.1	172.9	
		110	C	206.404	234.992	266.237	300.350	337.546	378.035	422.032	469.749	521.398	577.193	637.345	702.067	
		P	33.549	35.920	38.263	40.563	42.807	44.981	47.070	49.060	50.937	52.688	54.298	55.753		
		A	110.2	115.3	120.4	125.6	130.8	135.9	140.9	145.8	150.4	154.7	158.8	162.5		
		100	C	230.498	262.102	296.627	334.285	375.288	419.850	468.182	520.498	577.010	637.931	703.474	773.851	
		P	32.548	34.681	36.769	38.798	40.755	42.625	44.394	46.048	47.573	48.955	50.179	51.232		
		A	108.0	112.6	117.1	121.6	126.1	130.4	134.6	138.6	142.3	145.7	148.7	151.3		





Modelo	Compresor	H.P	TSC	TSE °F											C=Capacidad Btu's/h	P=Potencia watts	A=Corriente Amps.	
				-10	-5	0	5	10	15	20	25	30	35	40				45
FBJLD608BM6C	6HE3Y-2NU	66	130	C	162.282	187.961	216.171	247.149	281.135	318.367	359.083	403.522	451.921	504.520	561.557	623.270		
			P	36.344	39.589	42.802	45.964	49.056	52.061	54.958	57.731	60.361	62.829	65.117	67.206			
			A	125.8	132.3	139.0	145.8	152.6	159.5	166.2	172.9	179.3	185.4	191.2	196.7			
			120	C	190.297	219.279	251.052	285.854	323.924	365.500	410.821	460.124	513.649	571.634	634.317	701.936		
			P	36.166	39.132	42.050	44.901	47.667	50.328	52.868	55.268	57.508	59.571	61.438	63.091			
			A	125.3	131.2	137.2	143.3	149.4	155.4	161.3	167.0	172.4	177.5	182.2	186.4			
		110	C	218.135	250.352	285.620	324.177	366.263	412.115	461.973	516.073	574.655	637.957	706.218	779.676			
		P	35.643	38.320	40.932	43.462	45.891	48.200	50.372	52.387	54.228	55.876	57.312	58.518				
		A	124.1	129.4	134.8	140.2	145.5	150.6	155.6	160.3	164.7	168.7	172.3	175.3				
		100	C	245.798	281.181	319.876	362.121	408.154	458.214	512.540	571.369	634.940	703.492	777.262	856.489			
		P	34.786	37.162	39.459	41.657	43.739	45.686	47.479	49.100	50.531	51.754	52.749	53.498				
		A	122.3	127.0	131.7	136.3	140.8	145.1	149.2	152.9	156.3	159.2	161.6	163.4				
FBJLD7008BM6C	6HE3Y-2NU	70	130	C	198.649	227.869	259.838	294.827	333.107	374.948	420.619	470.392	524.536	583.322	647.020	715.901		
			P	45.346	49.038	52.700	56.312	59.853	63.304	66.646	69.858	72.920	75.814	78.519	81.015			
			A	144.7	152.9	161.2	169.6	178.0	186.4	194.6	202.7	210.4	217.8	224.8	231.4			
			120	C	230.660	263.726	299.875	339.377	382.502	429.520	480.703	536.319	596.640	661.936	732.477	808.533		
			P	44.673	48.044	51.368	54.625	57.796	60.861	63.801	66.594	69.222	71.665	73.904	75.917			
			A	143.1	150.5	158.1	165.6	173.1	180.5	187.7	194.6	201.2	207.4	213.1	218.3			
		110	C	262.127	298.978	339.244	383.196	431.105	483.240	539.871	601.270	667.705	739.449	816.770	899.940			
		P	43.599	46.642	49.622	52.520	55.315	57.989	60.520	62.890	65.078	67.065	68.831	70.357				
		A	140.7	147.3	154.0	160.7	167.2	173.6	179.8	185.6	191.0	196.0	200.5	204.3				
		100	C	293.189	333.762	378.084	426.425	479.055	536.244	598.262	665.381	737.869	815.999	900.039	990.260			
		P	42.165	44.875	47.507	50.039	52.454	54.730	56.848	58.788	60.531	62.056	63.345	64.377				
		A	137.5	143.4	149.2	155.0	160.6	166.0	171.1	175.8	180.1	183.8	187.0	189.5				
FBJLD8008BM6C	6GE4DY-2NU	80	130	C	230.478	263.141	298.738	337.570	379.940	426.147	476.494	531.282	590.811	655.384	725.302	800.865		
			P	53.046	57.205	61.331	65.406	69.410	73.322	77.124	80.795	84.316	87.667	90.828	93.780			
			A	178.8	187.4	196.2	205.0	213.8	222.6	231.2	239.6	247.8	255.6	263.0	269.9			
			120	C	266.944	304.025	344.463	388.557	436.609	488.921	545.793	607.528	674.425	746.788	824.916	909.112		
			P	52.213	56.006	59.752	63.430	67.021	70.506	73.864	77.076	80.122	82.983	85.638	88.069			
			A	177.0	184.8	192.7	200.6	208.5	216.3	223.9	231.2	238.2	244.8	251.0	256.7			
		110	C	302.386	343.854	389.098	438.421	492.123	550.506	613.871	682.519	756.752	836.871	923.177	1,015.972			
		P	50.917	54.346	57.713	60.996	64.177	67.236	70.152	72.907	75.481	77.853	80.004	81.915				
		A	174.2	181.3	188.3	195.4	202.3	209.1	215.7	221.9	227.8	233.2	238.1	242.5				
		100	C	337.174	382.995	433.014	487.532	546.851	611.273	681.097	756.626	838.162	926.004	1,020.455	1,121.816			
		P	49.226	52.294	55.283	58.173	60.946	63.580	66.057	68.356	70.459	72.344	73.993	75.386				
		A	170.8	177.0	183.2	189.4	195.4	201.2	206.7	211.9	216.6	220.8	224.5	227.6				
FBJLD10008BM6C	6FE5DY-2NU	100	130	C	284.172	323.988	367.181	414.121	465.175	520.713	581.102	646.712	717.910	795.066	878.548	968.724		
			P	64.035	69.337	74.606	79.813	84.932	89.934	94.793	99.481	103.972	108.237	112.249	115.982			
			A	248.2	259.5	270.6	281.4	291.9	302.0	311.6	320.6	328.9	336.5	343.3	349.2			
			120	C	328.416	373.640	422.782	476.212	534.297	597.406	665.908	740.171	820.563	907.454	1,001.212	1,102.205		
			P	63.475	68.332	73.133	77.850	82.454	86.919	91.218	95.323	99.206	102.841	106.201	109.257			
			A	247.1	257.5	267.7	277.7	287.2	296.4	305.0	313.0	320.3	326.9	332.6	337.5			
		110	C	371.587	422.119	477.110	536.929	601.945	672.525	749.039	831.855	921.342	1,017.868	1,121.801	1,233.511			
		P	62.328	66.729	71.049	75.262	79.340	83.255	86.980	90.489	93.753	96.746	99.439	101.806				
		A	244.6	254.2	263.5	272.5	281.1	289.2	296.8	303.8	310.1	315.6	320.2	323.9				
		100	C	413.726	469.466	530.206	596.314	668.160	746.112	830.538	921.807	1,020.288	1,126.348	1,240.357	1,362.683			
		P	60.626	64.557	68.385	72.081	75.619	78.972	82.112	85.012	87.644	89.981	91.996	93.662				
		A	240.9	249.5	257.9	265.9	273.5	280.6	287.2	293.0	298.2	302.5	306.0	308.5				

Modelo	Compresor	H.P	TSC	TSE °F											35	40	45
				-10	-5	0	5	10	15	20	25	30	35	40			
FBJLD3008M60	4PE51Y-2NU	30	C	77.211	89.930	104.035	119.661	136.946	156.028	177.043	200.129	225.423	253.061	283.182	315.922		
			P	17.715	19.454	21.209	22.967	24.715	26.441	28.131	29.773	31.354	32.862	34.284	35.607		
			A	30.0	31.7	33.6	35.5	37.5	39.5	41.5	43.4	45.4	47.3	49.2	50.9		
			C	91.219	105.785	121.892	139.679	159.282	180.838	204.486	230.361	258.601	289.343	322.725	358.883		
			P	17.584	19.197	20.813	22.418	24.001	25.547	27.045	28.482	29.845	31.121	32.298	33.363		
			A	29.8	31.4	33.1	34.9	36.6	38.4	40.1	41.9	43.5	45.1	46.6	48.0		
		110	C	105.421	121.820	139.917	159.852	181.760	205.779	232.046	260.698	291.872	325.706	362.336	401.901		
			P	17.345	18.823	20.289	21.733	23.140	24.498	25.794	27.016	28.151	29.186	30.108	30.906		
			A	29.6	31.0	32.6	34.1	35.6	37.2	38.7	40.1	41.5	42.8	43.9	45.0		
			C	119.836	138.055	158.132	180.201	204.402	230.871	259.745	291.162	325.258	362.171	402.038	444.995		
			P	17.001	18.333	19.642	20.913	22.135	23.295	24.381	25.378	26.276	27.060	27.719	28.239		
			A	29.2	30.5	31.9	33.2	34.5	35.8	37.1	38.2	39.3	40.2	41.1	41.7		
FBJLD4008M60	4NE501Y-2NU	40	C	98.168	113.101	129.628	147.909	168.103	190.369	214.865	241.752	271.187	303.329	338.338	376.373		
			P	22.423	24.350	26.300	28.255	30.202	32.126	34.010	35.841	37.602	39.280	40.858	42.322		
			A	35.4	37.5	39.6	41.8	44.1	46.3	48.6	50.9	53.1	55.3	57.3	59.3		
			C	114.261	131.316	150.149	170.920	193.788	218.911	246.448	276.558	309.401	345.135	383.920	425.913		
			P	21.908	23.702	25.501	27.290	29.056	30.782	32.453	34.055	35.572	36.990	38.292	39.465		
			A	34.9	36.8	38.7	40.7	42.7	44.7	46.7	48.6	50.5	52.3	54.0	55.6		
		110	C	130.420	149.584	170.711	193.959	219.487	247.454	278.019	311.341	347.579	386.892	429.439	475.379		
			P	21.330	22.977	24.613	26.225	27.796	29.313	30.759	32.120	33.381	34.526	35.540	36.409		
			A	34.3	36.0	37.7	39.5	41.2	42.9	44.6	46.3	47.8	49.2	50.5	51.7		
			C	146.704	167.965	191.373	217.085	245.261	276.059	309.640	346.160	385.781	428.660	474.956	524.829		
			P	20.684	22.171	23.633	25.054	26.420	27.715	28.923	30.031	31.023	31.883	32.598	33.151		
			A	33.6	35.1	36.6	38.2	39.7	41.1	42.5	43.8	45.0	46.0	46.9	47.7		
FBJLD4008M60	4JE22Y-2NU	44	C	110.149	127.339	146.187	166.852	189.494	214.274	241.351	270.885	303.037	337.966	375.833	416.797		
			P	24.599	26.792	28.986	31.170	33.333	35.465	37.554	39.589	41.560	43.455	45.265	46.977		
			A	37.8	40.2	42.6	45.2	47.8	50.4	53.0	55.6	58.2	60.7	63.1	65.5		
			C	129.045	148.526	169.852	193.183	218.679	246.500	276.806	309.757	345.514	384.235	426.082	471.213		
			P	24.458	26.460	28.449	30.415	32.346	34.232	36.062	37.825	39.510	41.106	42.602	43.988		
			A	37.5	39.7	42.0	44.3	46.6	48.9	51.1	53.4	55.5	57.6	59.6	61.5		
		110	C	147.845	169.567	193.322	219.270	247.570	278.383	311.869	348.188	387.499	429.963	475.740	524.990		
			P	24.090	25.894	27.672	29.412	31.104	32.738	34.302	35.785	37.176	38.465	39.641	40.693		
			A	37.1	39.1	41.1	43.1	45.1	47.0	48.9	50.8	52.6	54.3	55.8	57.2		
			C	166.537	190.450	216.585	245.099	276.155	309.910	346.526	386.163	428.980	475.137	524.795	578.113		
			P	23.504	25.103	26.661	28.169	29.615	30.988	32.279	33.475	34.566	35.541	36.389	37.099		
			A	36.5	38.2	39.9	41.6	43.3	44.9	46.5	48.0	49.4	50.6	51.7	52.6		
FBJLD5008M60	4HE25Y-2NU	50	C	135.063	154.804	176.429	200.125	226.075	254.467	285.485	319.314	356.139	396.147	439.521	486.449		
			P	29.947	32.418	34.894	37.360	39.804	42.213	44.576	46.878	49.107	51.252	53.298	55.234		
			A	47.3	50.0	52.8	55.7	58.5	61.4	64.3	67.2	70.0	72.7	75.4	77.9		
			C	156.770	179.229	203.796	230.658	259.999	292.004	326.860	364.751	405.863	450.380	498.489	550.374		
			P	29.579	31.853	34.115	36.353	38.554	40.704	42.793	44.806	46.731	48.556	50.267	51.853		
			A	46.9	49.4	51.9	54.4	57.0	59.6	62.1	64.6	67.0	69.3	71.5	73.6		
		110	C	178.234	203.341	230.781	260.738	293.399	328.949	367.573	409.456	454.784	503.741	556.514	613.287		
			P	28.981	31.046	33.084	35.082	37.028	38.909	40.712	42.425	44.035	45.530	46.895	48.120		
			A	46.2	48.4	50.7	53.0	55.2	57.4	59.6	61.7	63.6	65.5	67.3	68.8		
			C	199.429	227.114	257.356	290.340	326.251	365.275	407.597	453.402	502.876	556.203	613.570	675.161		
			P	28.157	30.001	31.804	33.552	35.232	36.832	38.339	39.741	41.025	42.177	43.186	44.039		
			A	45.3	47.3	49.3	51.2	53.1	55.0	56.8	58.4	60.0	61.4	62.7	63.8		
FBJLD6008M60	4GE30Y-2NU	60	C	157.085	179.349	203.742	230.477	259.766	291.822	326.858	365.086	406.719	451.969	501.050	554.174		
			P	34.782	37.584	40.392	43.190	45.964	48.700	51.385	54.004	56.543	58.987	61.324	63.538		
			A	56.5	59.5	62.7	65.9	69.2	72.4	75.7	79.0	82.2	85.3	88.3	91.2		
			C	181.911	207.385	235.252	265.725	299.015	335.337	374.901	417.922	464.612	515.183	569.847	628.819		
			P	34.295	36.889	39.472	42.028	44.545	47.007	49.401	51.713	53.929	56.034	58.014	59.856		
			A	55.9	58.7	61.6	64.5	67.4	70.4	73.3	76.1	78.9	81.5	84.1	86.4		
		110	C	206.404	234.992	266.237	300.350	337.546	378.035	422.032	469.749	521.398	577.193	637.345	702.067		
			P	33.549	35.920	38.263	40.563	42.807	44.981	47.070	49.060	50.937	52.688	54.298	55.753		
			A	55.1	57.6	60.2	62.8	65.4	68.0	70.5	72.9	75.2	77.4	79.4	81.2		
			C	230.498	262.102	296.627	334.285	375.288	419.850	468.182	520.498	577.010	637.931	703.474	773.851		
			P	32.548	34.681	36.769	38.798	40.755	42.625	44.394	46.048	47.573	48.955	50.179	51.232		
			A	54.0	56.3	58.5	60.8	63.0	65.2	67.3	69.3	71.1	72.8	74.3	75.6		



Modelo	Compresor	H.P	TSC	TSE °F											C=Capacidad Btu's/h	P=Potencia watts	A=Corriente Amps.	
				-10	-5	0	5	10	15	20	25	30	35	40				45
FBJLD608BM60	6E33V-2NU	66	130	C	162,282	187,961	216,171	247,149	281,135	318,367	359,083	403,522	451,921	504,520	561,557	623,270		
				P	36,344	39,589	42,802	45,964	49,056	52,061	54,958	57,731	60,361	62,829	65,117	67,206		
				A	62.9	66.2	69.5	72.9	76.3	79.7	83.1	86.4	89.6	92.7	95.6	98.3		
			120	C	190,297	219,279	251,052	285,854	323,924	365,500	410,821	460,124	513,649	571,634	634,317	701,936		
				P	36,166	39,132	42,050	44,901	47,667	50,328	52,868	55,268	57,508	59,571	61,438	63,091		
				A	62.6	65.6	68.6	71.7	74.7	77.7	80.7	83.5	86.2	88.8	91.1	93.2		
			110	C	218,135	250,352	285,620	324,177	366,263	412,115	461,973	516,073	574,655	637,957	706,218	779,676		
				P	35,643	38,320	40,932	43,462	45,891	48,200	50,372	52,387	54,228	55,876	57,312	58,518		
				A	62.1	64.7	67.4	70.1	72.7	75.3	77.8	80.2	82.4	84.4	86.1	87.7		
			100	C	245,798	281,181	319,876	362,121	408,154	458,214	512,540	571,369	634,940	703,492	777,262	856,489		
				P	34,786	37,162	39,459	41,657	43,739	45,686	47,479	49,100	50,531	51,754	52,749	53,498		
				A	61.2	63.5	65.9	68.2	70.4	72.6	74.6	76.5	78.1	79.6	80.8	81.7		
FBJLD7008BM60	6HE33V-2NU	70	130	C	198,649	227,869	259,838	294,827	333,107	374,948	420,619	470,392	524,536	583,322	647,020	715,901		
				P	45,346	49,038	52,700	56,312	59,853	63,304	66,646	69,858	72,920	75,814	78,519	81,015		
				A	72.4	76.5	80.6	84.8	89.0	93.2	97.3	101.3	105.2	108.9	112.4	115.7		
			120	C	230,660	263,726	299,875	339,377	382,502	429,520	480,703	536,319	596,640	661,936	732,477	808,533		
				P	44,673	48,044	51,368	54,625	57,796	60,861	63,801	66,594	69,222	71,665	73,904	75,917		
				A	71.6	75.3	79.0	82.8	86.5	90.2	93.8	97.3	100.6	103.7	106.6	109.2		
			110	C	262,127	298,978	339,244	383,196	431,105	483,240	539,871	601,270	667,705	739,449	816,770	899,940		
				P	43,599	46,642	49,622	52,520	55,315	57,989	60,520	62,890	65,078	67,065	68,831	70,357		
				A	70.3	73.7	77.0	80.3	83.6	86.8	89.9	92.8	95.5	98.0	100.2	102.2		
			100	C	293,189	333,762	378,084	426,425	479,055	536,244	598,262	665,381	737,869	815,999	900,039	990,260		
				P	42,165	44,875	47,507	50,039	52,454	54,730	56,848	58,788	60,531	62,056	63,345	64,377		
				A	68.7	71.7	74.6	77.5	80.3	83.0	85.5	87.9	90.0	91.9	93.5	94.7		
FBJLD8008BM60	6GE40V-2NU	80	130	C	230,478	263,141	298,738	337,570	379,940	426,147	476,494	531,282	590,811	655,384	725,302	800,865		
				P	53,046	57,205	61,331	65,406	69,410	73,322	77,124	80,795	84,316	87,667	90,828	93,780		
				A	89.4	93.7	98.1	102.5	106.9	111.3	115.6	119.8	123.9	127.8	131.5	135.0		
			120	C	266,944	304,025	344,463	388,557	436,609	488,921	545,793	607,528	674,425	746,788	824,916	909,112		
				P	52,213	56,006	59,752	63,430	67,021	70,506	73,864	77,076	80,122	82,983	85,638	88,069		
				A	88.5	92.4	96.4	100.3	104.3	108.1	111.9	115.6	119.1	122.4	125.5	128.3		
			110	C	302,386	343,854	389,098	438,421	492,123	550,506	613,871	682,519	756,752	836,871	923,177	1,015,972		
				P	50,917	54,346	57,713	60,996	64,177	67,236	70,152	72,907	75,481	77,853	80,004	81,915		
				A	87.1	90.6	94.2	97.7	101.2	104.6	107.8	111.0	113.9	116.6	119.1	121.2		
			100	C	337,174	382,995	433,014	487,532	546,851	611,273	681,097	756,626	838,162	926,004	1,020,455	1,121,816		
				P	49,226	52,294	55,283	58,173	60,946	63,580	66,057	68,356	70,459	72,344	73,993	75,386		
				A	85.4	88.5	91.6	94.7	97.7	100.6	103.4	105.9	108.3	110.4	112.3	113.8		
FBJLD10008BM60	6FE50V-2NU	100	130	C	284,172	323,988	367,181	414,121	465,175	520,713	581,102	646,712	717,910	795,066	878,548	968,724		
				P	64,035	69,337	74,606	79,813	84,932	89,934	94,793	99,481	103,972	108,237	112,249	115,982		
				A	124.1	129.8	135.3	140.7	146.0	151.0	155.8	160.3	164.5	168.3	171.7	174.6		
			120	C	328,416	373,640	422,782	476,212	534,297	597,406	665,908	740,171	820,563	907,454	1,001,212	1,102,205		
				P	63,475	68,332	73,133	77,850	82,454	86,919	91,218	95,323	99,206	102,841	106,201	109,257		
				A	123.5	128.8	133.9	138.8	143.6	148.2	152.5	156.5	160.2	163.5	166.3	168.7		
			110	C	371,587	422,119	477,110	536,929	601,945	672,525	749,039	831,855	921,342	1,017,868	1,121,801	1,233,511		
				P	62,328	66,729	71,049	75,262	79,340	83,255	86,980	90,489	93,753	96,746	99,439	101,806		
				A	122.3	127.1	131.7	136.2	140.6	144.6	148.4	151.9	155.0	157.8	160.1	161.9		
			100	C	413,726	469,466	530,206	596,314	668,160	746,112	830,538	921,807	1,020,288	1,126,348	1,240,357	1,362,683		
				P	60,626	64,557	68,385	72,081	75,619	78,972	82,112	85,012	87,644	89,981	91,996	93,662		
				A	120.5	124.8	128.9	133.0	136.8	140.3	143.6	146.5	149.1	151.3	153.0	154.2		

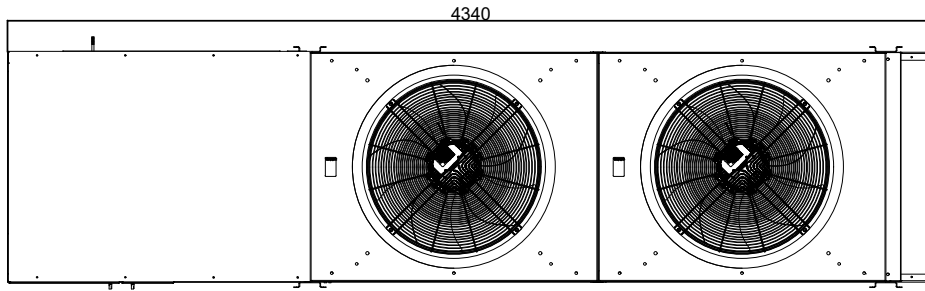
MODELO JLD BITZER

R404A

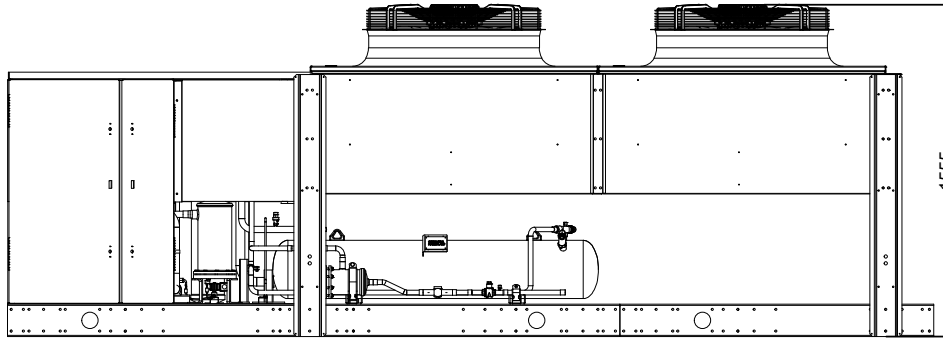
460V-3F-60Hz

Modelo	Compresor	H.P	TSC	TSE °F C=Capacidad Btu's/h P=Potencia watts A=Corriente Amps.									
				-40	-35	-30	-25	-20	-15	-10	-5	0	
FBJLD300BL6C	4JE15Y-2NU	30	130	C	39,289	49,647	60,835	73,003	86,301	100,878	116,884	134,468	153,780
			P	13,633	15,552	17,547	19,605	21,715	23,866	26,046	28,243	30,446	
			A	54.7	57.8	61.4	65.2	69.4	73.9	78.6	83.6	88.7	
			120	C	48,229	59,801	72,368	86,077	101,079	117,525	135,562	155,341	177,013
			P	14,131	15,948	17,826	19,753	21,718	23,709	25,714	27,721	29,720	
			A	55.7	58.6	61.9	65.5	69.4	73.5	77.8	82.3	86.9	
		110	C	57,343	70,095	84,004	99,220	115,892	134,170	154,204	176,144	200,138	
		P	14,477	16,185	17,938	19,727	21,538	23,360	25,183	26,993	28,780		
		A	56.2	59.0	62.1	65.4	68.9	72.7	76.6	80.6	84.7		
		100	C	66,596	80,492	95,709	112,395	130,702	150,778	172,774	196,838	223,121	
		P	14,676	16,266	17,887	19,529	21,179	22,825	24,457	26,062	27,629		
		A	56.5	59.1	61.9	64.9	68.2	71.5	75.0	78.5	82.0		
FBJLD360BL6C	4HE18Y-2NU	36	130	C	50,954	62,863	75,709	89,666	104,906	121,604	139,933	160,065	182,176
			P	16,940	19,133	21,428	23,811	26,269	28,787	31,351	33,949	36,565	
			A	60.1	64.2	68.8	73.8	79.2	84.9	90.9	97.2	103.7	
			120	C	60,881	74,241	88,732	104,527	121,800	140,725	161,474	184,220	209,139
			P	17,300	19,389	21,562	23,804	26,103	28,444	30,814	33,198	35,582	
			A	60.9	64.8	69.1	73.7	78.8	84.1	89.6	95.3	101.2	
		110	C	70,998	85,755	101,836	119,416	138,667	159,763	182,878	208,184	235,856	
		P	17,508	19,482	21,522	23,613	25,742	27,896	30,059	32,219	34,360		
		A	61.3	64.9	68.9	73.3	77.9	82.7	87.7	92.9	98.1		
		100	C	81,246	97,345	114,962	134,271	155,446	178,660	204,085	231,897	262,268	
		P	17,568	19,416	21,312	23,241	25,190	27,145	29,091	31,015	32,904		
		A	61.4	64.8	68.5	72.4	76.6	81.0	85.4	90.0	94.5		
FBJLD460BL6C	4GE23Y-2NU	46	130	C	65,262	78,754	93,293	109,077	126,306	145,178	165,893	188,650	213,648
			P	20,814	23,319	25,959	28,717	31,577	34,523	37,539	40,608	43,716	
			A	67.4	72.6	78.4	84.7	91.5	98.7	106.3	114.1	122.2	
			120	C	76,053	91,274	107,768	125,735	145,374	166,884	190,464	216,313	244,631
			P	20,985	23,384	25,894	28,500	31,186	33,934	36,730	39,557	42,399	
			A	67.8	72.8	78.3	84.2	90.6	97.2	104.2	111.4	118.7	
		110	C	87,070	103,939	122,308	142,378	164,346	188,413	214,777	243,637	275,193	
		P	21,005	23,283	25,650	28,090	30,587	33,124	35,686	38,257	40,819		
		A	67.9	72.6	77.7	83.2	89.1	95.2	101.5	108.0	114.6		
		100	C	98,218	116,654	136,817	158,908	183,125	209,667	238,735	270,525	305,239	
		P	20,878	23,021	25,230	27,490	29,784	32,096	34,410	36,710	38,980		
		A	67.6	72.0	76.7	81.8	87.1	92.6	98.3	104.1	109.8		
FBJLD560BL6C	4FE28Y-2NU	56	130	C	73,288	90,929	109,567	129,433	150,761	173,780	198,724	225,824	255,312
			P	23,636	26,955	30,381	33,894	37,474	41,100	44,752	48,411	52,055	
			A	90.8	97.0	103.8	111.2	119.0	127.1	135.6	144.3	153.1	
			120	C	88,462	107,666	128,184	150,248	174,089	199,939	228,031	258,595	291,864
			P	24,357	27,472	30,678	33,952	37,276	40,629	43,990	47,341	50,660	
			A	92.3	98.1	104.4	111.3	118.5	126.0	133.7	141.6	149.7	
		110	C	103,225	123,945	146,296	170,509	196,816	225,449	256,640	290,621	327,623	
		P	24,775	27,679	30,654	33,681	36,740	39,811	42,873	45,906	48,890		
		A	93.0	98.4	104.3	110.6	117.2	124.0	131.0	138.2	145.3		
		100	C	117,605	139,793	163,928	190,242	218,967	250,335	284,577	321,927	362,614	
		P	24,909	27,591	30,328	33,099	35,884	38,664	41,417	44,124	46,765		
		A	93.2	98.2	103.5	109.2	115.2	121.3	127.6	133.9	140.2		
FBJLD660BL6C	6GE34Y-2NU	68	130	C	99,759	120,660	142,941	166,888	192,783	220,913	251,561	285,012	321,550
			P	32,341	36,278	40,371	44,596	48,927	53,342	57,817	62,327	66,849	
			A	107.5	116.2	125.5	135.4	145.7	156.5	167.6	179.0	190.5	
			120	C	117,894	140,855	165,565	192,310	221,374	253,041	287,597	325,325	366,510
			P	32,716	36,385	40,185	44,092	48,084	52,135	56,222	60,321	64,408	
			A	108.5	116.5	125.0	134.1	143.6	153.5	163.6	173.8	184.2	
		110	C	135,069	160,065	187,180	216,700	248,908	284,089	322,528	364,509	410,317	
		P	32,686	36,089	39,600	43,195	46,850	50,542	54,245	57,937	61,593		
		A	108.5	115.8	123.6	131.9	140.6	149.5	158.6	167.8	177.1		
		100	C	151,650	178,656	208,152	240,422	275,750	314,421	356,719	402,930	453,336	
		P	32,312	35,454	38,681	41,967	45,291	48,626	51,950	55,239	58,468		
		A	107.7	114.3	121.5	129.0	136.8	144.8	152.9	161.1	169.2		
FBJLD880BL6C	6FE44Y-2NU	88	130	C	109,932	136,393	164,350	194,150	226,141	260,670	298,086	338,736	382,968
			P	37,252	42,131	47,154	52,291	57,515	62,796	68,106	73,415	78,696	
			A	148.0	157.2	167.0	177.4	188.3	199.5	211.2	223.0	235.0	
			120	C	132,692	161,499	192,276	225,372	261,134	299,909	342,046	387,893	437,796
			P	38,303	42,884	47,585	52,376	57,228	62,114	67,003	71,869	76,681	
			A	150.1	158.7	167.8	177.5	187.6	198.0	208.6	219.4	230.3	
		110	C	154,838	185,918	219,444	255,763	295,224	338,173	384,960	435,931	491,434	
		P	38,916	43,187	47,551	51,982	56,450	60,927	65,383	69,791	74,121		
		A	151.3	159.2	167.7	176.6	185.8	195.3	205.0	214.7	224.4		
		100	C	176,408	209,689	245,892	285,363	328,451	375,502	426,866	482,890	543,921	
		P	39,115	43,060	47,076	51,134	55,204	59,258	63,268	67,205	71,040		
		A	151.6	158.9	166.7	174.8	183.1	191.7	200.3	208.9	217.5		

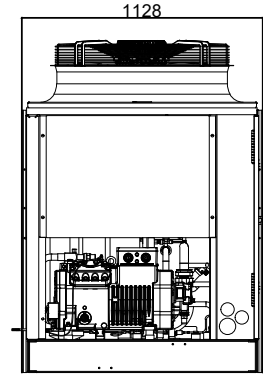
Modelo	Compresor	H.P	TSC	TSE °F C=Capacidad Btu's/h P=Potencia watts A=Corriente Amps.									
				-40	-35	-30	-25	-20	-15	-10	-5	0	
FBJLD3008L60	4JE15Y-2NU	30	130	C	39,289	49,647	60,835	73,003	86,301	100,878	116,884	134,468	153,780
			P	13,633	15,552	17,547	19,605	21,715	23,866	26,046	28,243	30,446	
			A	27.4	28.9	30.7	32.6	34.7	37.0	39.3	41.8	44.3	
			120	C	48,229	59,801	72,368	86,077	101,079	117,525	135,562	155,341	177,013
			P	14,131	15,948	17,826	19,753	21,718	23,709	25,714	27,721	29,720	
			A	27.8	29.3	30.9	32.7	34.7	36.8	38.9	41.2	43.5	
		110	C	57,343	70,095	84,004	99,220	115,892	134,170	154,204	176,144	200,138	
		P	14,477	16,185	17,938	19,727	21,538	23,360	25,183	26,993	28,780		
		A	28.1	29.5	31.0	32.7	34.5	36.3	38.3	40.3	42.3		
		100	C	66,596	80,492	95,709	112,395	130,702	150,778	172,774	196,838	223,121	
		P	14,676	16,266	17,887	19,529	21,179	22,825	24,457	26,062	27,629		
		A	28.3	29.5	31.0	32.5	34.1	35.8	37.5	39.2	41.0		
FBJLD3608L60	4HE18Y-2NU	36	130	C	50,954	62,863	75,709	89,666	104,906	121,604	139,933	160,065	182,176
			P	16,940	19,133	21,428	23,811	26,269	28,787	31,351	33,949	36,565	
			A	30.1	32.1	34.4	36.9	39.6	42.5	45.5	48.6	51.9	
			120	C	60,881	74,241	88,732	104,527	121,800	140,725	161,474	184,220	209,139
			P	17,300	19,389	21,562	23,804	26,103	28,444	30,814	33,198	35,582	
			A	30.4	32.4	34.5	36.9	39.4	42.0	44.8	47.7	50.6	
		110	C	70,998	85,755	101,836	119,416	138,667	159,763	182,878	208,184	235,856	
		P	17,508	19,482	21,522	23,613	25,742	27,896	30,059	32,219	34,360		
		A	30.6	32.5	34.5	36.6	38.9	41.4	43.9	46.4	49.1		
		100	C	81,246	97,345	114,962	134,271	155,446	178,660	204,085	231,897	262,268	
		P	17,568	19,416	21,312	23,241	25,190	27,145	29,091	31,015	32,904		
		A	30.7	32.4	34.2	36.2	38.3	40.5	42.7	45.0	47.3		
FBJLD4608L60	4GE23Y-2NU	46	130	C	65,262	78,754	93,293	109,077	126,306	145,178	165,893	188,650	213,648
			P	20,814	23,319	25,959	28,717	31,577	34,523	37,539	40,608	43,716	
			A	33.7	36.3	39.2	42.4	45.8	49.4	53.1	57.1	61.1	
			120	C	76,053	91,274	107,768	125,735	145,374	166,884	190,464	216,313	244,631
			P	20,985	23,384	25,894	28,500	31,186	33,934	36,730	39,557	42,399	
			A	33.9	36.4	39.1	42.1	45.3	48.6	52.1	55.7	59.4	
		110	C	87,070	103,939	122,308	142,378	164,346	188,413	214,777	243,637	275,193	
		P	21,005	23,283	25,650	28,090	30,587	33,124	35,686	38,257	40,819		
		A	33.9	36.3	38.9	41.6	44.5	47.6	50.8	54.0	57.3		
		100	C	98,218	116,654	136,817	158,908	183,125	209,667	238,735	270,525	305,239	
		P	20,878	23,021	25,230	27,490	29,784	32,096	34,410	36,710	38,980		
		A	33.8	36.0	38.4	40.9	43.6	46.3	49.2	52.0	54.9		
FBJLD5608L60	4FE28Y-2NU	56	130	C	73,288	90,929	109,567	129,433	150,761	173,780	198,724	225,824	255,312
			P	23,636	26,955	30,381	33,894	37,474	41,100	44,752	48,411	52,055	
			A	45.4	48.5	51.9	55.6	59.5	63.6	67.8	72.1	76.6	
			120	C	88,462	107,666	128,184	150,248	174,089	199,939	228,031	258,595	291,864
			P	24,357	27,472	30,678	33,952	37,276	40,629	43,990	47,341	50,660	
			A	46.1	49.0	52.2	55.6	59.2	63.0	66.9	70.8	74.8	
		110	C	103,225	123,945	146,296	170,509	196,816	225,449	256,640	290,621	327,623	
		P	24,775	27,679	30,654	33,681	36,740	39,811	42,873	45,906	48,890		
		A	46.5	49.2	52.2	55.3	58.6	62.0	65.5	69.1	72.7		
		100	C	117,605	139,793	163,928	190,242	218,967	250,335	284,577	321,927	362,614	
		P	24,909	27,591	30,328	33,099	35,884	38,664	41,417	44,124	46,765		
		A	46.6	49.1	51.8	54.6	57.6	60.7	63.8	67.0	70.1		
FBJLD6608L60	6GE34Y-2NU	68	130	C	99,759	120,660	142,941	166,888	192,783	220,913	251,561	285,012	321,550
			P	32,341	36,278	40,371	44,596	48,927	53,342	57,817	62,327	66,849	
			A	53.8	58.1	62.7	67.7	72.9	78.3	83.8	89.5	95.2	
			120	C	117,894	140,855	165,565	192,310	221,374	253,041	287,597	325,325	366,510
			P	32,716	36,385	40,185	44,092	48,084	52,135	56,222	60,321	64,408	
			A	54.2	58.2	62.5	67.1	71.8	76.7	81.8	86.9	92.1	
		110	C	135,069	160,065	187,180	216,700	248,908	284,089	322,528	364,509	410,317	
		P	32,686	36,089	39,600	43,195	46,850	50,542	54,245	57,937	61,593		
		A	54.2	57.9	61.8	65.8	70.3	74.7	79.3	83.9	88.5		
		100	C	151,650	178,656	208,152	240,422	275,750	314,421	356,719	402,930	453,336	
		P	32,312	35,454	38,681	41,967	45,291	48,626	51,950	55,239	58,468		
		A	53.8	57.2	60.7	64.5	68.4	72.4	76.5	80.5	84.6		
FBJLD808L60	6FE44Y-2NU	88	130	C	109,932	136,393	164,350	194,150	226,141	260,670	298,086	338,736	382,968
			P	37,252	42,131	47,154	52,291	57,515	62,796	68,106	73,415	78,696	
			A	74.0	78.6	83.5	88.7	94.1	99.8	105.6	111.5	117.5	
			120	C	132,692	161,499	192,276	225,372	261,134	299,909	342,046	387,893	437,796
			P	38,303	42,884	47,585	52,376	57,228	62,114	67,003	71,869	76,681	
			A	75.1	79.3	83.9	88.7	93.8	99.0	104.3	109.7	115.1	
		110	C	154,838	185,918	219,444	255,763	295,224	338,173	384,960	435,931	491,434	
		P	38,916	43,187	47,551	51,982	56,450	60,927	65,383	69,791	74,121		
		A	75.7	79.6	83.9	88.3	92.9	97.7	102.5	107.2	112.2		
		100	C	176,408	209,689	245,892	285,363	328,451	375,502	426,866	482,890	543,921	
		P	39,115	43,060	47,076	51,134	55,204	59,258	63,268	67,205	71,040		
		A	75.8	79.5	83.3	87.4	91.6	95.8	100.2	104.5	108.7		



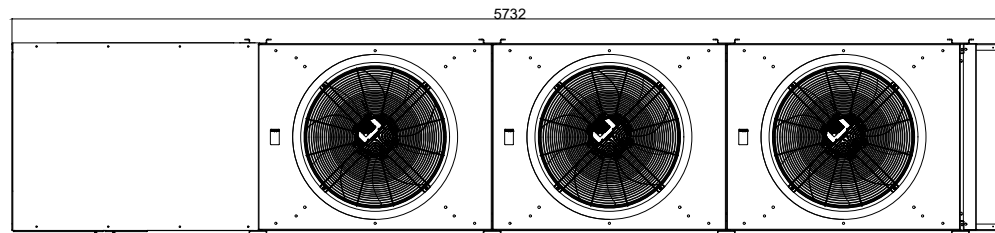
VISTA PLANTA



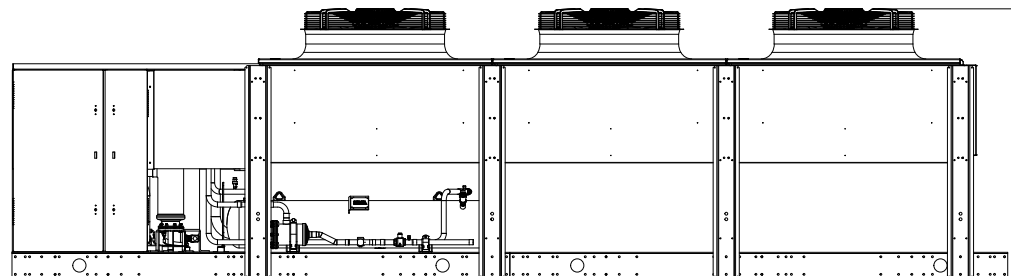
VISTA FRONTAL



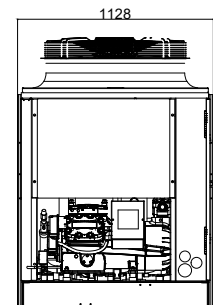
VISTA LAT. IZQUIERDA



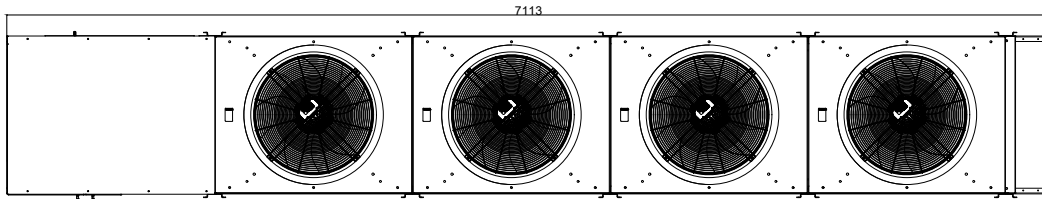
VISTA PLANTA



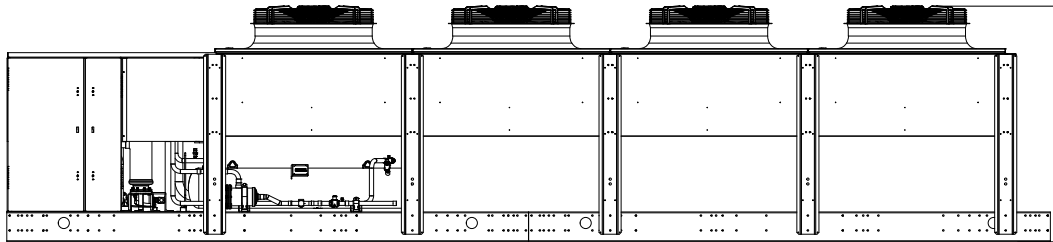
VISTA FRONTAL



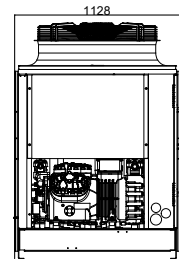
VISTA LAT. IZQUIERDA



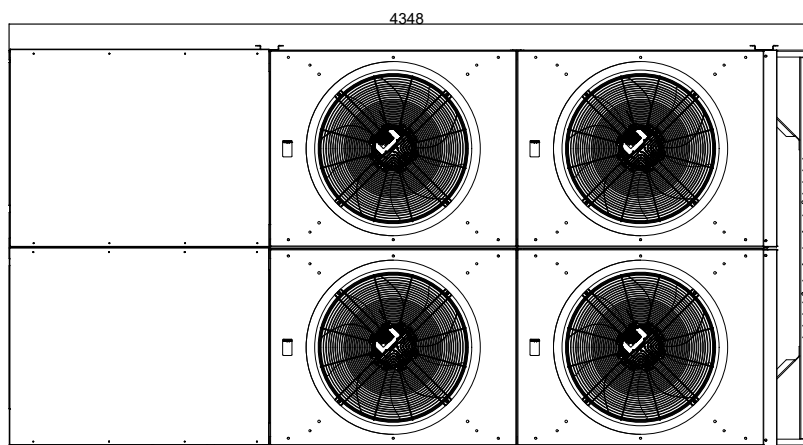
VISTA PLANTA



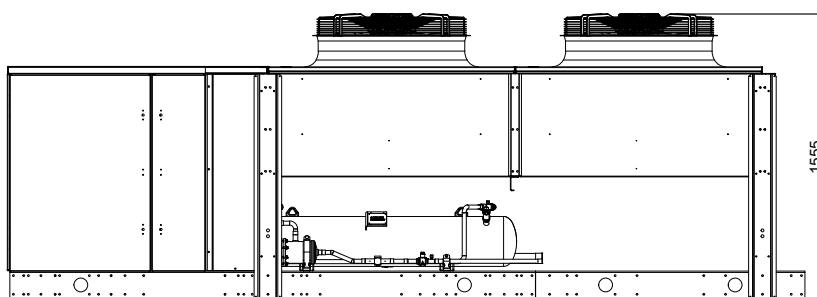
VISTA FRONTAL



VISTA LAT. IZQUIERDA



VISTA PLANTA

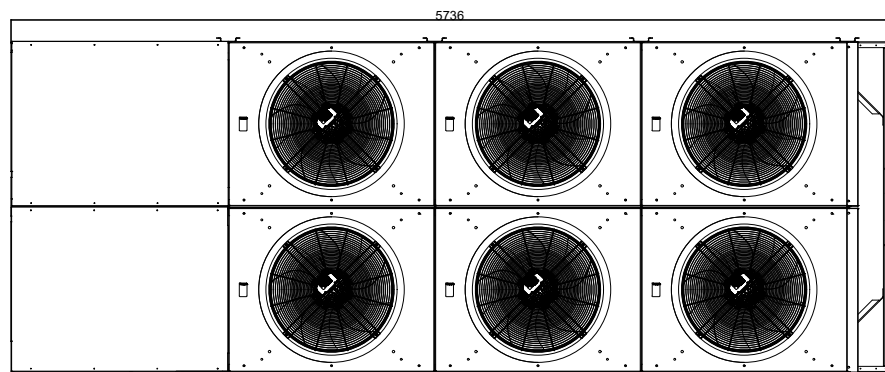


VISTA FRONTAL

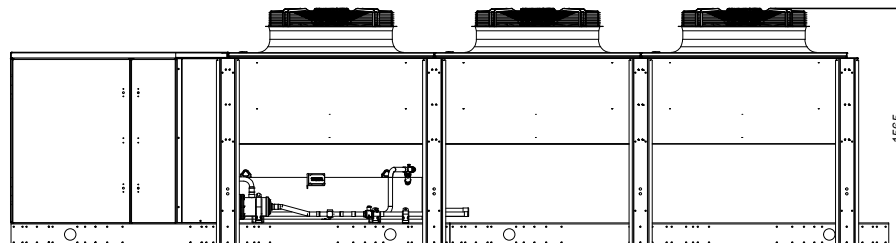


VISTA LAT. IZQUIERDA

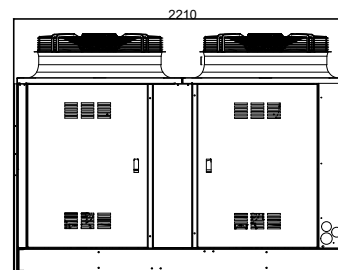
**FBJLD** | DIMENSIONES | 66,70,80 MEDIA 88 BAJA



VISTA PLANTA



VISTA FRONTAL

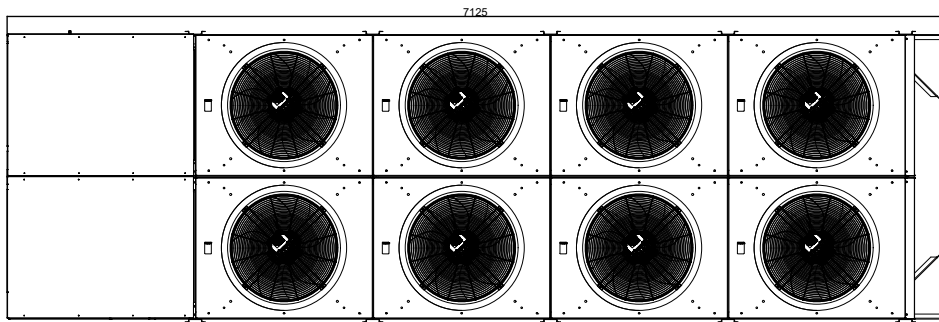


VISTA LAT. IZQUIERDA

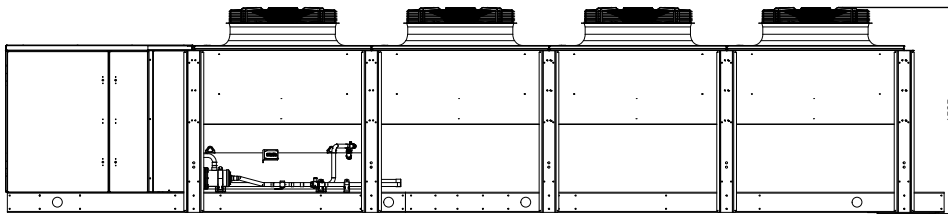
Dimensiones: mm



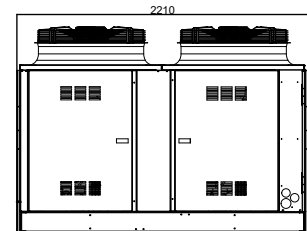




VISTA PLANTA



VISTA FRONTAL



VISTA LAT. IZQUIERDA

Dimensiones: mm

**UNIDADES CONDENSADORAS  
FBLV Y FBJLD**



COMPRESOR	DESCARGA	LÍQUIDO	SUCCIÓN	ACEITE	EQUIPO	CONTROL	CHASIS	OTROS
<b>LÍNEA ESTÁNDAR</b>								
Semihermético	Separador de aceite (Centrifugo)	Filtro desecante para la línea de líquido Reemplazable	Acumulador de succión	Carga de aceite para separador	Bus de alimentación.	Tarjeta control servicemate	Base de lamina de acero galvanizado	Pads de hule para la unidad condensadora
Calefactor de Carter	Válvula de paso con acceso a servicio	Indicador de liquido y humedad	Filtro desecante para la línea de succión Reemplazable	Línea de retorno de aceite	Contacto y guardamotor individual por compresor	Alambrado con código de color y número.	Lamina galvanizada prepin-tada a prueba de intemperie	Etiquetas con marca y tipo de aceite y refrigerante.
Control de baja ajustable	Válvula Check	Tanque recibidor con dispositivo de seguridad	Válvula de paso con acceso a servicio		Contacto general de protección para todos los ventiladores	Monitor de Falla de Fase		Sistema con carga seca de nitrógeno a 100 psi.
Control de alta ajustable	Condensador de tubos flotantes cobre-aluminio	Válvula de paso con acceso a servicio	Aislamiento para línea de succión de espesor		Interruptor para transformador de control (solo si es 460)	Interruptor Control		
Ventilador de cabeza (en baja temp).	Motores EC. EBM 800mm				Fusibles para cada ventilador	Toggle Switch para compresor		
Control diferencial de aceite (en comp. Con bomba de aceite)					Supresor de picos	Toggle Switch para sistema de bombeo completo(pump down)		
						Control electrónico con modulación incluida para ventiladores del condensador		

COMPRESOR	DESCARGA	LÍQUIDO	SUCCIÓN	ACEITE	EQUIPO	CONTROL	CHASIS	OTROS
<b>LÍNEA ESTÁNDAR</b>								
Semihermético	Separador de aceite (Centrifugo)	Filtro desecante para la línea de líquido Reemplazable	Acumulador de succión	Carga de aceite para separador	Bus de alimentación.	Tarjeta control servicemate	Base de lamina de acero galvanizado	Pads de hule para la unidad condensadora
Calefactor de Carter	Válvula de paso con acceso a servicio	Indicador de líquido y humedad	Filtro desecante para la línea de succión Reemplazable	Línea de retorno de aceite	Contacto y guardamotor individual por compresor	Alambrado con código de color y número.	Lamina galvanizada prepintada a prueba de intemperie	Etiquetas con marca y tipo de aceite y refrigerante.
Control de baja ajustable	Válvula Check	Tanque recibidor con dispositivo de seguridad	Válvula de paso con acceso a servicio		Contacto general de protección para todos los motores	Monitor de Falla de Fase		Sistema con carga seca de nitrógeno a 100 psi.
Control de alta ajustable	Condensador de tubos flotantes cobre-aluminio	Válvula de paso con acceso a servicio	Aislamiento para línea de succión de espesor		Interrupción para transformador de control (solo si es 460)	Interrupción Control		
Ventilador de cabeza (en baja temp).	Motores EC. EBM 800mm				Fusibles para cada motor	Toggle Switch para compresor		
Control diferencial de aceite (en comp. Con bomba de aceite)					Supresor de picos	Toggle Switch para sistema de bombeo completo (pump down)		



#### **Planta Querétaro**

Acceso II, Calle 2 No. 48  
Parque Industrial Benito Juárez  
Querétaro, Qro. C.P. 76120  
Tel: +52 442 296 4500

#### **Planta Mérida**

Calle 19 No. 418  
Ampliación Ciudad. Industrial  
C.P. 97930,  
Umán, Yucatán,  
Tel: +52 999 946 3483

#### **Planta Monterrey**

Parque Industrial Finsa Santa Catarina  
Carretera a García Km. 3.0  
Santa Catarina, N.L.  
Tel: +52 55 5000 8505

#### **Planta Chile**

San Ignacio 051, Quilicura  
Santiago Chile  
+562 2714 0900  
+562 2714 0902

Call Center:  
+52 55 5000 5105  
[www.fb-refrigeracion.com](http://www.fb-refrigeracion.com)

**Boletín UCCD-1, Publicado SEPTIEMBRE, 2024**  
**Sustituye a BCT-062**

BOHN se reserva el derecho de hacer cambios en sus especificaciones en cualquier momento, sin previo aviso y sin ninguna responsabilidad con los compradores, propietarios del equipo que previamente se les ha vendido.  
Rev 2.0